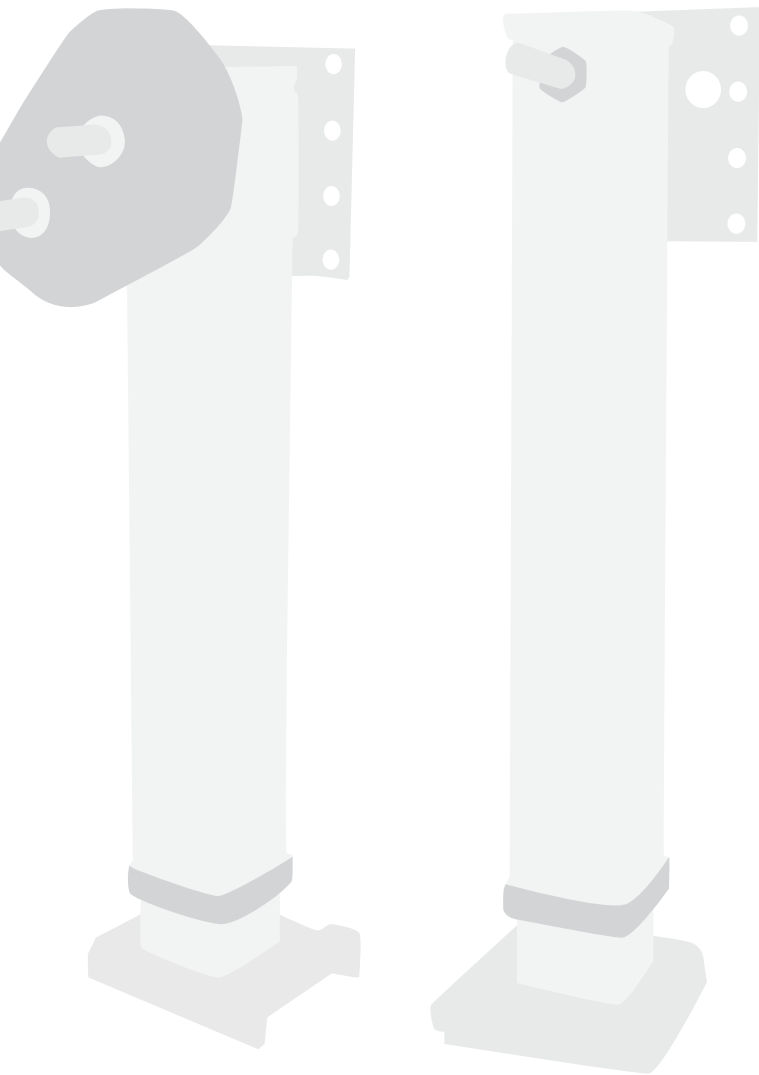


## Landing Gear      **477-524**

Models & Legs . . . . .	478-504
SAF-Holland . . . . .	478-499
Jost . . . . .	500-503
Pro-Par . . . . .	504
Accessories . . . . .	505-510
Crank Handles & Holders .	505-507
Shoes . . . . .	508-510
Mounting . . . . .	511-521
Bracing . . . . .	511-521
Bracing Lugs . . . . .	513-516
Brackets . . . . .	517-521
Specialty Legs & Components .	522-524



# Landing Gear

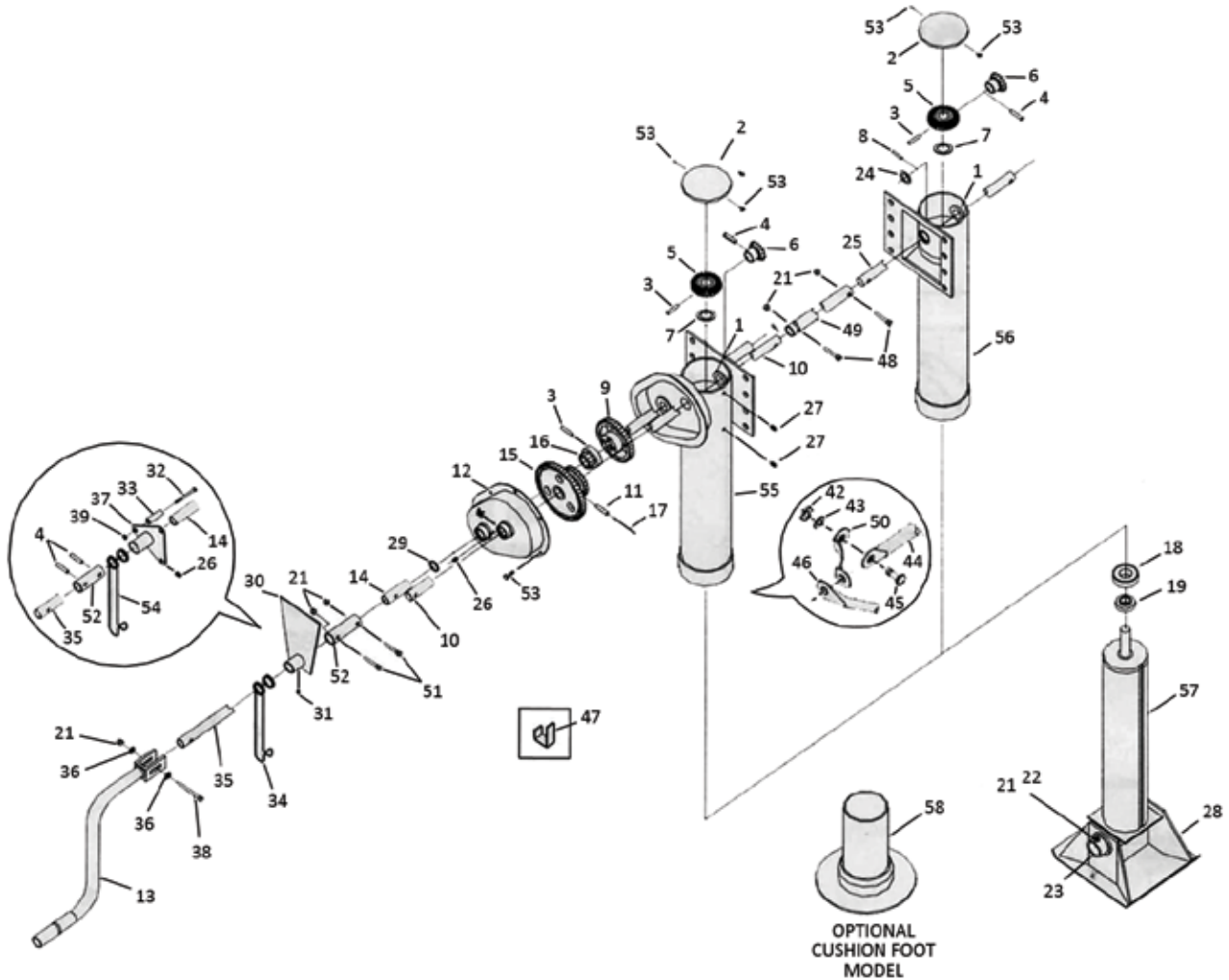
## Austin-Westran CMR

DISCONTINUED - Service Parts Only

Models & Legs

LGR

SAH Holland



## Austin-Westran CMR

### Components

Item	Part Number	Description	Item	Part Number	Description
1	<b>KYS724037</b>	Bushing	31	<b>707002<sup>^</sup></b>	Grease Fitting
2	<b>KYS750109</b>	Cover	32	<b>201031<sup>^</sup></b>	Bolt 1/4 in. - 20 x 2-1/4 in.
3	<b>KYS725046</b>	Groove Pin 5/16 in. x 1/2 in.	33	<b>724010<sup>^</sup></b>	Spacer
4	<b>KYS725002</b>	Roll Pin 3/8 in. x 1-3/8 in.	34	<b>KYS730122</b>	Crank Holder
5	<b>KYS730590</b>	Bevel Gear 28T	35	<b>KYS750212</b>	Crank Shaft Extension
6	<b>KYS730011</b>	Pinion-Bevel 14T	36	<b>202403<sup>^</sup></b>	Washer 3/8 in. Plain Heavy
7	<b>KYS722018</b>	Hardened Washer	37	<b>716007<sup>^</sup></b>	Crank Bracket Assembly
8	<b>KYS725001</b>	Roll Pin 1/4 in. x 1-1/4 in.		<b>716008<sup>^</sup></b>	Crank Bracket Assembly
9	<b>KYS751174</b>	Gear, High Speed	38	<b>201210<sup>^</sup></b>	Bolt - Hex HD 3/8 in. - 16 x 2-3/4 in.
10	<b>KYS750002</b>	Shaft Pinion	39	<b>203305<sup>^</sup></b>	Lock Nut 1/4 in. - 20
11	<b>KYS725003</b>	Roll Pin 3/8 in. x 1-1/2 in.	42	<b>203878<sup>^</sup></b>	Hex Nut 5/8 in. - 11
12	<b>KYS741158</b>	Cover Assembly	43	<b>202745<sup>^</sup></b>	Washer
13	<b>BINLG0083-01</b>	Crank	44		Brace Tube (Cross)
14	<b>KYS751175</b>	Crank Shaft	45	<b>721009<sup>^</sup></b>	Bolt - Hex HD 5/8 in. - 11 x 2 in.
15	<b>KYS750009</b>	Gear Set, Rigid 26/51T	46		Brace Tube (Back)
16	<b>KYS751173</b>	Gear, Low Speed	47	<b>BUF1003-1406</b>	Crank Holder
17	<b>KYS729002</b>	Spring Clip	48	<b>KYS201208</b>	Bolt - Hex HD 3/8 in. - 16 x 2-1/2 in.
18	<b>KYS729016</b>	Bearing	49	<b>BINLG0094</b>	Intermediate Shaft 65 in.
19	<b>KYS730007</b>	Collar		<b>FRUSCE8322-1</b>	Intermediate Shaft 74-3/4 in.
21	<b>KYS203514</b>	Nut Lock 3/8 in. - 16	50	<b>KYS730157</b>	Brace Ear
22	<b>201226<sup>^</sup></b>	Bolt 3/8 in. - 16 x 3/4 in.	51	<b>201218<sup>^</sup></b>	Bolt - Hex HD 3/8 in. - 16 x 1-3/4 in.
23	<b>KYS730005</b>	Axle - for Sand Shoes	52	<b>730092<sup>^</sup></b>	Coupling
24	<b>KYS722000</b>	Washer	53	<b>KYS201060</b>	Screw - Hex Washer HD 1/4 in. - 20 x 1/2 in.
25	<b>KYS750004</b>	Shaft (Pinion)	54	<b>730166<sup>^</sup></b>	Crank Holder
26	<b>727001<sup>^</sup></b>	Grease Fitting	55	<b>751562<sup>^</sup></b>	Upper Leg Weldment (2-Speed) 26-7/16 in. Length
27	<b>727000<sup>^</sup></b>	Grease Fitting	56	<b>751560<sup>^</sup></b>	Upper Leg Weldment (Single Speed) 26-7/16 in. Length
28	<b>HOLLG0055-01</b>	Sand Shoe	57	<b>742110<sup>^</sup></b>	Lower Leg Assembly (Round)
29	<b>KYS728000</b>	Seal	58	<b>742126<sup>^</sup></b>	Lower Leg Assembly with Cushion Foot (Standard Lube)
30	<b>730152<sup>^</sup></b>	Crankshaft Bracket Assembly			

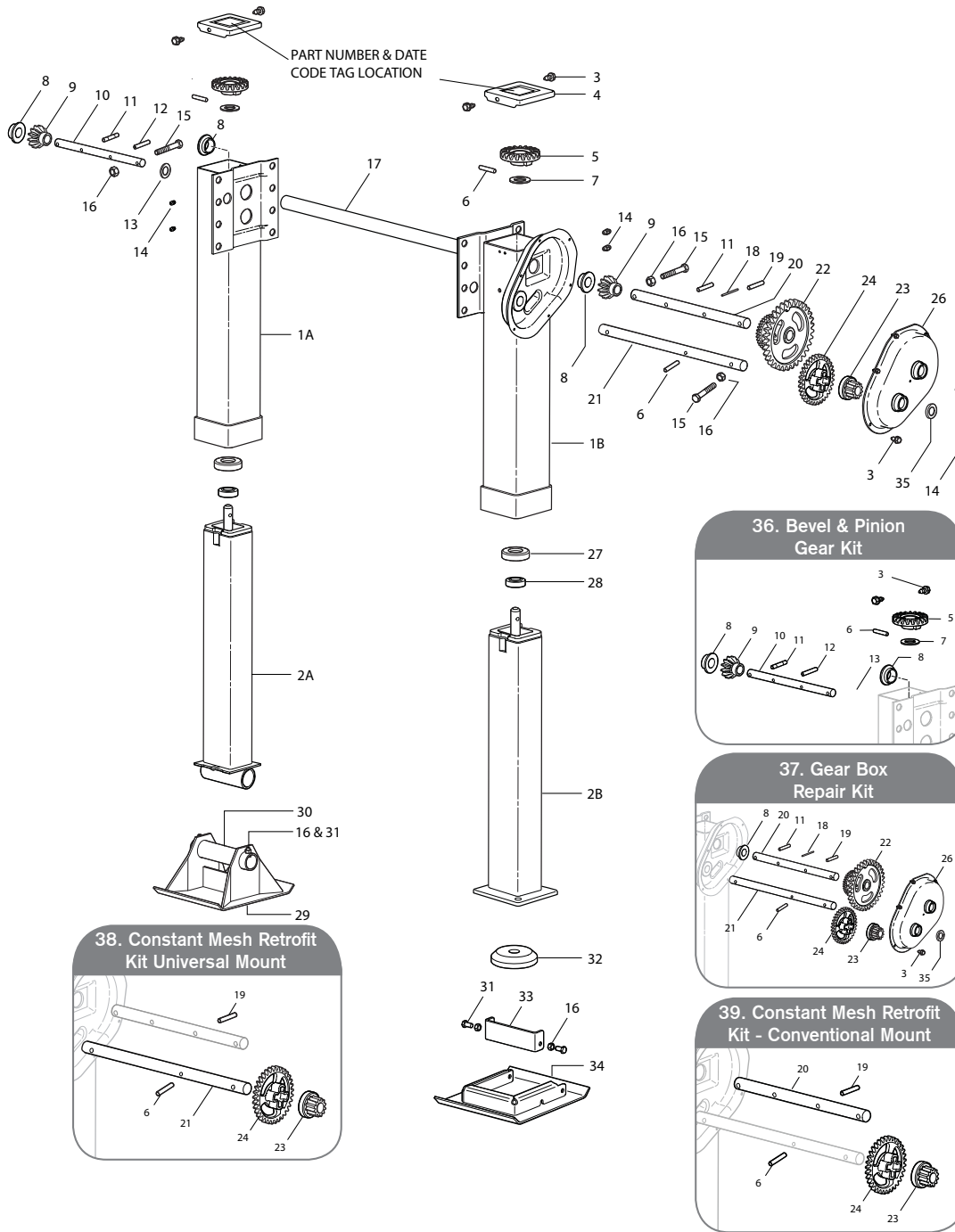
<sup>^</sup>Part included for reference only.

# Landing Gear

## Austin-Westran CMS

### DISCONTINUED - Service Parts Only

As of 7/2010 legs were replaced with the Classic model.



Models & Legs

LGR

SAF Holland

## Austin-Westran CMS

### Components

Item	Part Number	Description
1A		Upper Leg Assy LH - 1-Speed
1B		Upper Leg Assy RH - 2-Speed
2A		Lower Leg Assy - Sandshoe
2B		Lower Leg Assy - Removable Cushion Foot
3	<b>BINXB-ST5-008-11</b>	Self-Tapping Screw 1/4 in. - 20 x 1/2 in.
4	<b>KYS751612</b>	Cover - Square Leg
	<b>KYS751601</b>	Cover - Round Leg
5	<b>KYS730590</b>	Bevel Gear
6	<b>KYS725046</b>	Groove Pin - 5/16 in. x 1-1/2 in.
7	<b>HOLXB-PW-016-62</b>	Washer Hardened
8	<b>KYS724037</b>	Shaft Bushing - Square Leg
	<b>KYS724036</b>	Shaft Bushing - Round Leg
9	<b>KYS730011</b>	Pinion Gear
10	<b>Jack Shaft LH</b>	
	<b>KYS750004</b>	- Universal Mount
	<b>750450<sup>^</sup></b>	- Conventional Mount
	<b>750452<sup>^</sup></b>	- Reverse Mount
11	<b>KYS725002</b>	Spring Pin - 3/8 in. x 1-3/8 in.
12	<b>KYS725001</b>	Spring Pin - 1/4 in. x 1-1/4 in.
13	<b>HOLXB-PW-016-13</b>	Flat Washer
14	<b>727000<sup>^</sup></b>	Grease Fitting
15	<b>BINXB-HHC-050-42</b>	Hex Cap Screw 3/8 in. - 16 x 2-1/4 in.
16	<b>HOLXB-SLN-012-04</b>	Self-Locking Nut
17	<b>BINLG0094-XXXX</b>	Cross Drive Shaft
18	<b>KYS729002</b>	Wire
19	<b>KYS725003</b>	Spring Pin - 3/8 in. x 1-1/2 in.
20	<b>Jack Shaft RH</b>	
	<b>KYS750002</b>	- Universal Mount
	<b>750241<sup>^</sup></b>	- Conventional Mount
	<b>750245<sup>^</sup></b>	- Reverse Mount
21	<b>Shift Shaft</b>	
	<b>KYS751175</b>	- Universal & Reverse Mount
	<b>KYS751198</b>	- Conventional Mount

Item	Part Number	Description
22	<b>KYS750009</b>	Output Gear
23	<b>KYS751173</b>	Input Gear - Low
24	<b>KYS751174</b>	Input Gear - High
26	<b>KYS741158</b>	Outside Cover Assembly
27	<b>KYS730007</b>	Collar - Elevating Screw
28	<b>KYS729016</b>	Bearing
29	<b>Sandshoe</b>	
	<b>BIN50616001</b>	- 10 in. x 10 in. x 4-1/2 in. Code 444
	<b>BIN50616008</b>	- 10 in. x 10 in. x 2 in. Code 400
30	<b>BINLG0070-02</b>	Sandshoe Axle Hollow Axle 8-1/2 in. Lg.
31	<b>HOLXB-HHC-050-69</b>	Hex Cap Screw
32	<b>KYS728003</b>	Cushion Foot Pad - RCF
33	<b>KYS730638</b>	Interchangeable Strap - RCF
34	<b>KYS730640</b>	RCF - 10 in. x 10 in.
35	<b>KYS728000</b>	Seal
36	<b>HOLRK-11290</b>	Bevel & Pinion Gear Repair Kit
37	<b>HOLRK-11291</b>	Gear Box Repair Kit
38	<b>KYS716037</b>	Constant Mesh Retrofit Kit Universal Mount
39	<b>KYS716039</b>	Constant Mesh Retrofit Kit Conventional Mount

Models & Legs

LGR

NOTE: RCF = Removeable Cushion Foot.

<sup>^</sup>Part included for reference only.

# Landing Gear

## Binkley 50,000 Series

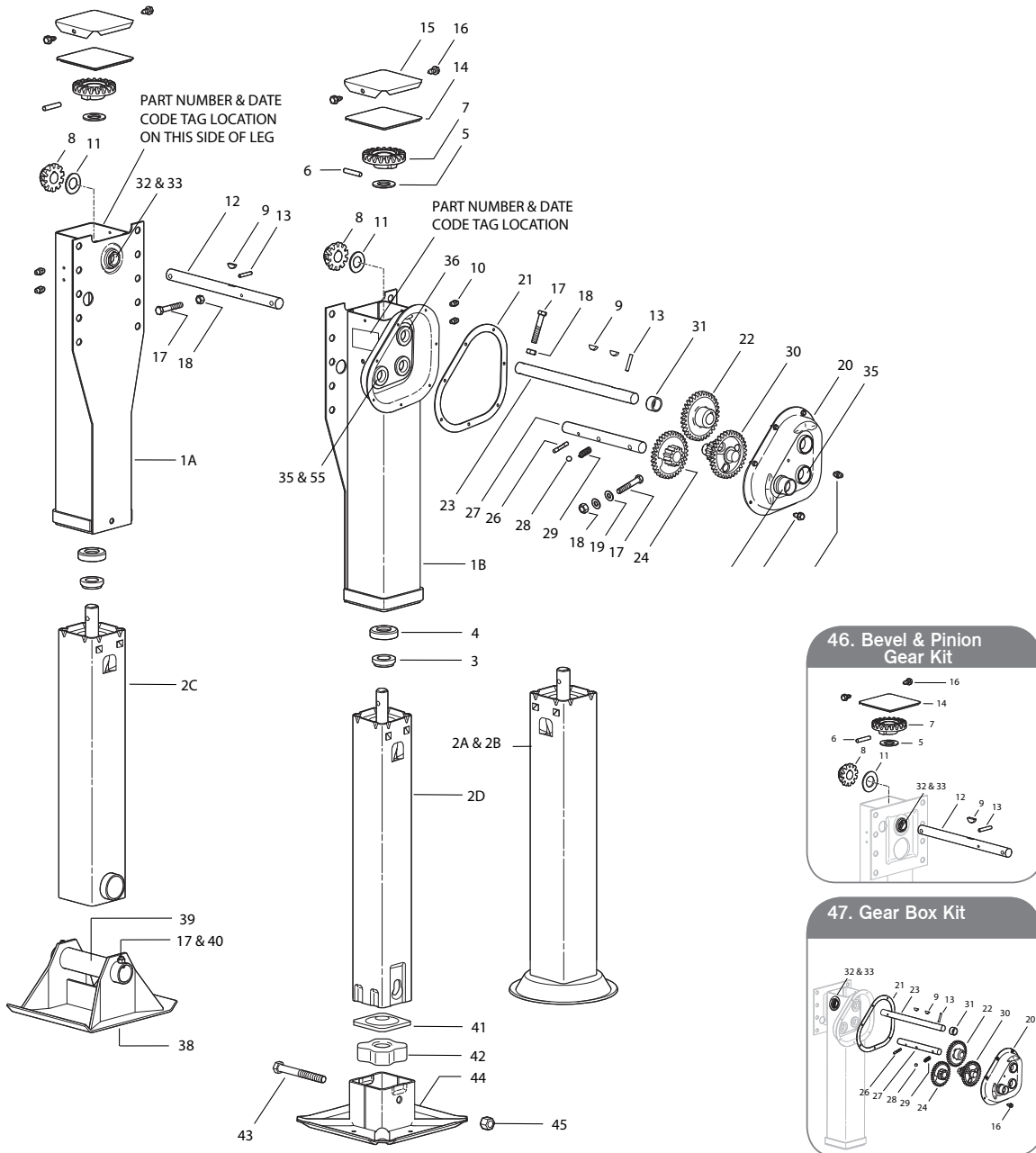
### DISCONTINUED - Service Parts Only

As of 1/2012 legs were replaced with the Atlas 65 model.

Models & Legs

LGR

SAF Holland



## Binkley 50,000 Series

### Components

Item	Part Number	Description
1A	<b>LG0229-04<sup>^</sup></b>	Upper Housing LH
1B	<b>LG0228-04<sup>^</sup></b>	Upper Housing RH
2A	<b>LG0569-02<sup>^</sup></b>	Retract Tube Assy - DIA 10 in. Shock Foot
2B	<b>LG0580-01<sup>^</sup></b>	Retract Tube Assy - DIA 12 in. Shock Foot
2C	<b>BINLG0574-01</b>	Retract Tube Assy - Axle Socket
2D	<b>LG0747-504<sup>^</sup></b>	Retract Tube Assy - RCF
3	<b>BINXB-LG0544</b>	Collar
4	<b>BINXBBRG01377</b>	Thrust Bearing
5	<b>HOLXB-PW-016-62</b>	Washer FL
6	<b>XB-CRP-V-06635<sup>^</sup></b>	Pin 0.38 in. x 2 in.
7	<b>BINLG0570-01</b>	Bevel Gear
8	<b>BINLG0531-02</b>	Pinion Gear
9	<b>BINXB-KEY-018-02</b>	Key - Woodruff
10	<b>HOLXB-GRF-022-16</b>	Ftg - Grease
11	<b>BINXB-PW-016-19</b>	Washer
<b>12</b>	<b>Jack Shaft LH</b>	
	<b>BINLG0259</b>	- Universal Mount
	<b>BINLG0369-01</b>	- I-Beam Mount
	<b>LG0369-05<sup>^</sup></b>	- Conventional Mount
	<b>BINLG0436</b>	- Reverse Mount
13	<b>BINXB-SP-014-27</b>	Pin
14	<b>BINXB-LG0413</b>	Gasket
15	<b>BINLG0264</b>	Cover
16	<b>BINXB-STS-008-11</b>	Self-Tapping Screw
17	<b>BINXB-HHC-050-42</b>	Screw - Hex HD
18	<b>HOLXB-SLN-012-04</b>	Self-Locking Nut
19	<b>BINXB-PW-016-03</b>	Washer
20	<b>BINXB-LG0663</b>	Gearbox Half
	<b>BINLG0663</b>	Cover Gearbox
21	<b>BINLG0428</b>	Gearbox Gasket
22	<b>BINLG0543-01</b>	Output Gear
<b>23</b>	<b>Jackshaft RH</b>	
	<b>BINLG0260</b>	- Universal Mount
	<b>BINLG0370-01</b>	- I-Beam Standard Mount
	<b>BINLG0370-05</b>	- Conventional Mount
	<b>BINLG0438</b>	- Reverse Mount
24	<b>BINLG0541-01</b>	Input Gear High & Low

Item	Part Number	Description
26	<b>BINXB-GP-014-07</b>	Groove Pin Lg Type E 1/4 in. x 1-1/2 in.
<b>27</b>	<b>Shift Shaft</b>	
	<b>BINLG0261-01</b>	- Universal Mount
	<b>BINLG0371-01</b>	- I-Beam & Conventional
	<b>BINLG0437</b>	- Reverse Mount
28	<b>BINXB-BAL-023-07</b>	Shift Lock Ball
29	<b>BINXB-SPG-020-36</b>	Shift Lock Spring
30	<b>BINLG0542-01</b>	Idler Gear
31	<b>BINLG0219-01</b>	Spacer Bushing
32	<b>BINLG2094</b>	Retainer - Hex Lock
33	<b>BINLG2095</b>	Hex Lock Boss
34	<b>BINLG0658-01</b>	Shift Lock Boss
35	<b>BINLG0659-01</b>	Gearbox Boss
36	<b>BINXB-LG0660</b>	Gearbox Boss Inside Half
<b>38</b>	<b>Sand Shoe</b>	
	<b>BIN50616001</b>	- 10 in. x 10 in. x 4-1/2 in.
	<b>HOL50616000</b>	- 10 in. x 12 in. x 4-1/2 in.
	<b>BIN50616008</b>	- 10 in. x 10 in. x 2 in.
	<b>HOL50616007</b>	- 10 in. x 12 in. x 2 in.
39	<b>BINLG0070-02</b>	Sandshoe Axle Hollow Axle 8-1/2 in. Lg
40	<b>HOLXB-HHC-050-69</b>	Screw - Hex Cap 3/8 in. - 16 x 1/4 in. Gr5
41	<b>BINLG0725</b>	Cushion Foot Plate
42	<b>BINLG0726</b>	Cushion Foot Rubber
43	<b>HOLXB-HHB-050-70</b>	Bolt - Hex Head 5/8 in. - 11 x 5-1/2 in.
44	<b>BINLG0048-01</b>	RCF - 10 in. x 10 in.
45	<b>BINXB-SP0012-10</b>	Self-Locking Nut 5/8 in. - 11
46	<b>HOLRK-11284</b>	Bevel & Pinion Gear Repair Kit
47	<b>HOLRK-11285</b>	Gear Box Repair Kit

NOTE: RCF = Removeable Cushion Foot.

<sup>^</sup>Part included for reference only.

# Landing Gear

## Binkley 51,000 Series

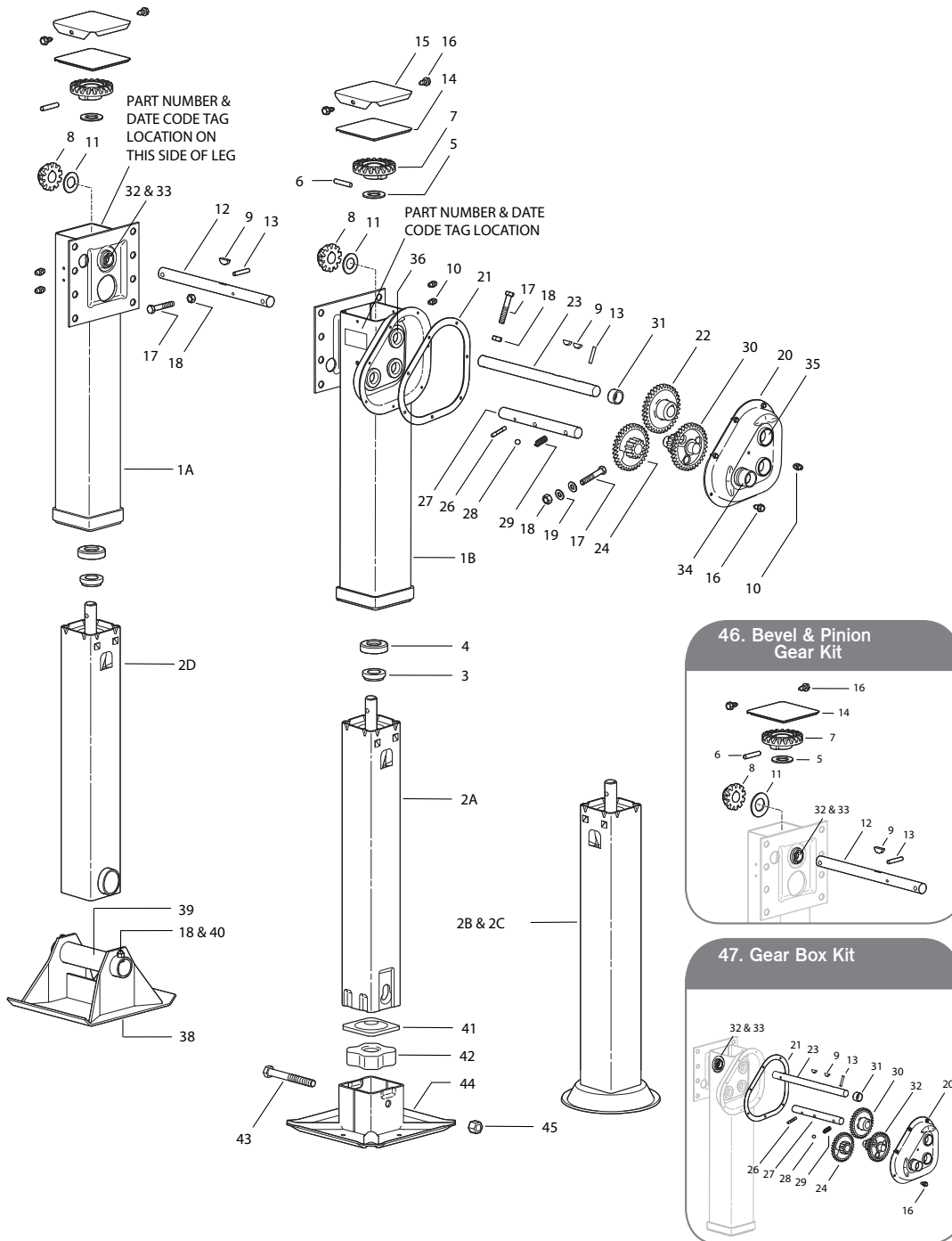
### DISCONTINUED - Service Parts Only

As of 9/2010 legs were replaced with the Atlas 55 model.

Models & Legs

LGR

SAF Holland



NOTE: RCF = Removeable Cushion Foot.  
 \*Part included for reference only.



## Binkley 51,000 Series

### Components

Item	Part Number	Description
1A	N/A	Upper Housing LH
1B	N/A	Upper Housing RH
2A	N/A	Retract Tube - RCF
2B	N/A	Retract Tube - 10 in. Shock Foot
2C	N/A	Retract Tube - 12 in. Shock Foot
2D	N/A	Retract Tube - Axle
3	<b>BINXB-LG0544</b>	Collar
4	<b>BINXBBRG01377</b>	Thrust Bearing
5	<b>HOLXB-PW-016-62</b>	Washer - FL 2 in. x 1-3/16 in. x 1/8 in.
6	<b>HOLXA-CRP-V-06635</b>	Pin - 3/8 in. x 2 in.
7	<b>BINLG0570-01</b>	Bevel Gear
8	<b>BINLG1823-01</b>	Pinion Gear
9	<b>BINXB-KEY-018-02</b>	Key - Woodruff 1/4 in. x 7/8 in.
10	<b>HOLXB-GRF-022-16</b>	Ftg - Grease 1/4 in. - 28 Self Tapping
11	<b>BINXB-PW-016-19</b>	Washer - Fl 1-13/16 in. x 1-1/64 in. x 1/16 in.
12	<b>Jack Shaft LH</b>	
	<b>BINLG0927</b>	- Universal Mount
	<b>BINLG0946</b>	- I-Beam Mount
	<b>BINLG0946-02</b>	- Conventional Mount
	<b>BINLG0948</b>	- Reverse Mount
13	<b>BINXB-SP-014-27</b>	Pin - Spring 1/4 in. x 1-1/2 in.
14	<b>XB-LG0893<sup>^</sup></b>	Gasket
15	<b>HOL2111100004080</b>	Cover
16	<b>BINXB-ST5-008-11</b>	Self-Tapping Screw 1/4 in. - 20 x 1/2 in. Lg
17	<b>BINXB-HHC-050-42</b>	Screw, Hex Cap 3/8 in. - 16 x 2-1/4 Lg Gr5
18	<b>HOLXB-SLN-012-04</b>	Self-Locking Nut 3/8 in. - 16
19	<b>BINXB-PW-016-03</b>	Washer 3/8 in. Std
20	<b>Gearbox Half</b>	
	<b>BINLG0663</b>	Outside with Hole for Grease Fitting
	<b>BINXB-LG0663</b>	Outside with Grease Fitting Included
21	<b>BINLG0428</b>	Gearbox Gasket
22	<b>BINLG0543-01</b>	Output Gear

Item	Part Number	Description
23	<b>Jackshaft RH</b>	
	<b>BINLG0928</b>	- Universal
	<b>BINLG0947</b>	- I-Beam Mount
	<b>BINLG0947-02</b>	- Conventional Mount
	<b>BINLG0949</b>	- Reverse Mount
24	<b>BINLG0541-01</b>	Input Gear High & Low
26	<b>BINXB-GP-014-07</b>	Groove Pin, Type E 1/4 in. x 1-1/2 in. Lg
27	<b>Shift Shaft</b>	
	<b>BINLG0261-01</b>	- Universal Mount
	<b>BINLG0371-01</b>	- I-Beam & Conventional
	<b>BINLG0437</b>	- Reverse Mount
28	<b>BINXB-BAL-023-07</b>	Shift Lock Ball
29	<b>BINXB-SPG-020-36</b>	Shift Lock Spring
30	<b>BINLG0542-01</b>	Idler Gear
31	<b>BINLG0219-01</b>	Spacer Bushing
32	<b>BINLG2094</b>	Retainer, Hex Lock
33	<b>BINLG2095</b>	Hex Lock Boss
34	<b>BINLG0658-01</b>	Shift Lock Boss
35	<b>BINLG0659-01</b>	Gearbox Boss
36	<b>BINXB-LG0660</b>	Gearbox Boss, Inside Half
38	<b>Sandshoe</b>	
	<b>BIN50616001</b>	- 10 in. x 10 in. x 4-1/2 in.
	<b>HOL50616000</b>	- 10 in. x 12 in. x 4-1/2 in.
	<b>BIN50616008</b>	- 10 in. x 10 in. x 2 in.
	<b>HOL50616007</b>	- 10 in. x 12 in. x 2 in.
39	<b>BINLG0070-02</b>	Sand Shoe Axle Hollow Axle 8-1/2 in. Lg
40	<b>HOLXB-HHC-050-69</b>	Screw, Hex Cap 3/8 in.-16 x 3/4 in. Lg Gr5
41	<b>BINLG0725</b>	Cushion Foot Plate
42	<b>BINLG0726</b>	Cushion Foot Rubber
43	<b>XB-HHB-050-07<sup>^</sup></b>	Bolt - Hex Head 5/8 in.-11 x 5-1/2 in.
44	<b>Removeable Cushion Foot</b>	
	<b>BINLG0718-01</b>	- Diameter 10 in.
	<b>BINLG0740-01</b>	- Diameter 12 in.
	<b>BINLG048-01</b>	- 10 in. x 10 in.
45	<b>BINXB-SP0012-10</b>	Self-Locking Nut 5/8 in. - 11
46	<b>HOLRK-11288</b>	Bevel & Pinion Gear Repair Kit
47	<b>HOLRK-11289</b>	Gear Box Repair Kit

Models & Legs

LGR

SAF Holland

# Landing Gear

## Binkley FG4000 Series

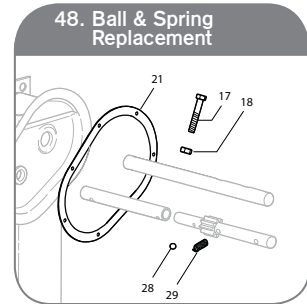
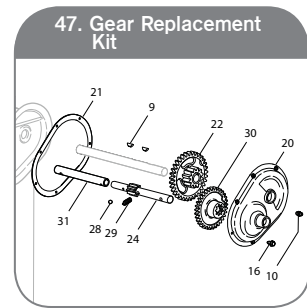
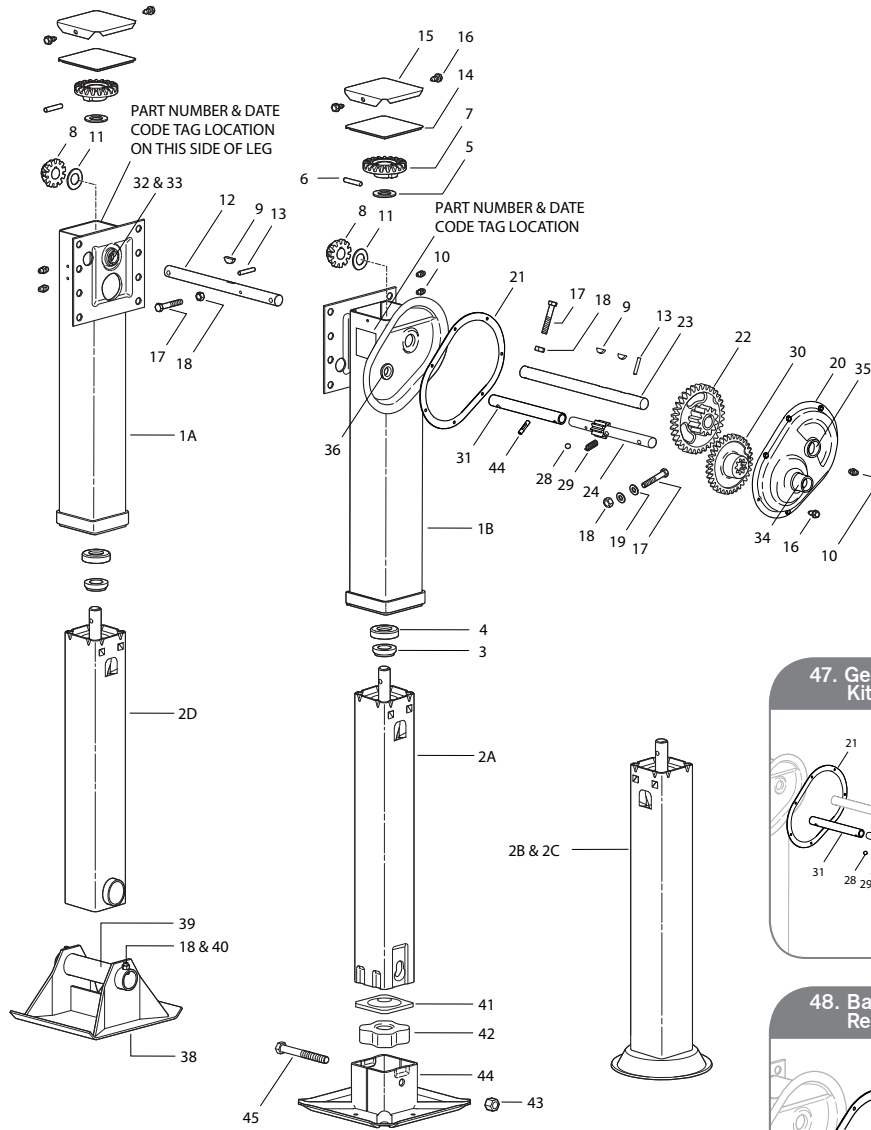
### DISCONTINUED - Service Parts Only

As of 9/2010 legs were replaced with the Atlas 55 model.

Models & Legs

LGR

SAF Holland



NOTE: CLOTH BAG & UTILITY CLOTH INCLUDED (NOT SHOWN)

## Binkley FG4000 Series

### Components

Item	Part Number	Description
1A	N/A	Upper Housing LH
1B	N/A	Upper Housing RH
2A	N/A	Retract Tube - RCF
2B	N/A	Retract Tube - 10 in. Shock Foot
2C	N/A	Retract Tube - 12 in. Shock Foot
2D	N/A	Retract Tube - Sandshoe
3	<b>BINXB-LG0544</b>	Collar
4	<b>BINXBBRG01377</b>	Thrust Bearing
5	<b>HOLXB-PW-016-62</b>	Washer - FL 2 in. OD 1-3/16 in. ID, 1/8 in. Thk.
6	<b>HOLXA-CRP-V-06635</b>	Pin - 3/8 in. x 2 in.
7	<b>BINLG0570-01</b>	Bevel Gear
8	<b>BINLG1823-01</b>	Pinion Gear
9	<b>BINXB-KEY-018-02</b>	Woodruff Key - 1/4 in. x 13/16 in.
10	<b>HOLXB-GRF-022-16</b>	Grease Fitting - 1/4 in.-28 Self-Tapping
11	<b>BINXB-PW-016-19</b>	Washer - FL 1-7/8 in. OD 1-1/64 in. OD, 5/8 in. Thk.
12	<b>Jack Shaft LH</b>	
	<b>BINLG0927</b>	- Universal Mount
	<b>BINLG0946</b>	- I-Beam Mount
	<b>BINLG0946-02</b>	- Conventional Mount
	<b>BINLG0948</b>	- Reverse Mount
13	<b>BINXB-SP-014-27</b>	Spring Pin 1/4 in. x 1-1/2 in.
14	<b>BINXB-LG0893</b>	Gasket
15	<b>HOL2111100004080</b>	Cover
16	<b>BINXB-ST5-008-11</b>	Self-Tapping Screw 1/4 in. - 20 x 1/2 in. Lg
17	<b>BINXB-HHC-050-42</b>	Screw - Hex Cap Lg Gr5 3/8 in.-16 x 2-1/4 in.
18	<b>HOLXB-SLN-012-04</b>	Self Locking Nut 3/8 in.-16 Grade B
19	<b>BINXB-PW-016-03</b>	Washer - 3/8 in.
20	<b>BINLG0944-100</b>	Gearbox Half - Outside w/Hole for Grease Fitting
21	<b>BINXB-LG0891</b>	Gearbox Gasket
22	<b>BINLG0936-51</b>	Output Gear

Item	Part Number	Description
23	<b>Jack Shaft RH</b>	
	<b>BINLG2147</b>	- Universal Mount
	<b>LG2187^</b>	- I-Beam Mount
	<b>BINLG2187-01</b>	- Conventional Mount
	<b>HOLLG2197</b>	- Reverse Mount
24	<b>Input Gear - Low</b>	
	<b>BINLG2463-01</b>	- Universal, I-Beam & Conventional Mount
	<b>BINLG2464-01</b>	- Reverse Mount
28	<b>BINXB-BAL-023-07</b>	Shift Lock Ball
29	<b>BINXB-SPG-020-36</b>	Shift Lock Spring
30	<b>BINLG2465-01</b>	Input Gear - High
31	<b>BINLG2462</b>	Shift Shaft Extension Universal, Reverse
32	<b>BINLG2094</b>	Retainer - Hex Lock
33	<b>BINLG2095</b>	Boss - Hex Lock
34	<b>BINLG0658-01</b>	Shift Lock Boss
35	<b>BINLG0659-01</b>	Gearbox Boss
36	<b>HOLXB-LG0931</b>	Gearbox Boss Inside Half
38	<b>Sandshoe</b>	
	<b>BINLG0055</b>	- 10 in. x 10 in. x 4-1/2 in.
	<b>BINLG0050</b>	- 10 in. x 12 in. x 4-1/2 in.
	<b>BINLG0056</b>	- 10 in. x 10 in. x 2 in.
	<b>BINLG0051</b>	- 10 in. x 12 in. x 2 in.
39	<b>BINLG0070-02</b>	Sand Shoe Axle Hollow Axle 8-1/2 in. Lg
40	<b>HOLXB-HHC-050-69</b>	Screw - Hex Cap 3/8 in.-16 x 3/4 in. Gr5
41	<b>BINLG0725</b>	Cushion Foot Plate
42	<b>BINLG0726</b>	Cushion Foot Rubber
43	<b>HOLXB-HHB-050-70</b>	Bolt - Hex Head 5/8 in.-11 x 5-1/2 in.
44	<b>Removeable Cushion Foot</b>	
	<b>BINLG0718-01</b>	- 10 in. x 10 in.
	<b>BINLG0740-01</b>	- 12 in. Diameter
	<b>BINLG0048-01</b>	- 10 in. Diameter
45	<b>BINXB-SP0012-10</b>	Self-Locking Nut 5/8 in.-11
46	<b>BINXB-GP-052-49</b>	Groove Pin 1/4 in. x 1-1/8 in. Universal & Reverse Gear Replacement Kit
47	<b>BINRK-11074-01</b>	Ball & Spring Replacement Kit
48	<b>BINLG2145-999</b>	Ball & Spring Replacement Kit
55	<b>BINXB-SEL-030-17</b>	Oil Seal

NOTE: RCF = Removeable Cushion Foot.

^Part included for reference only.

Models & Legs

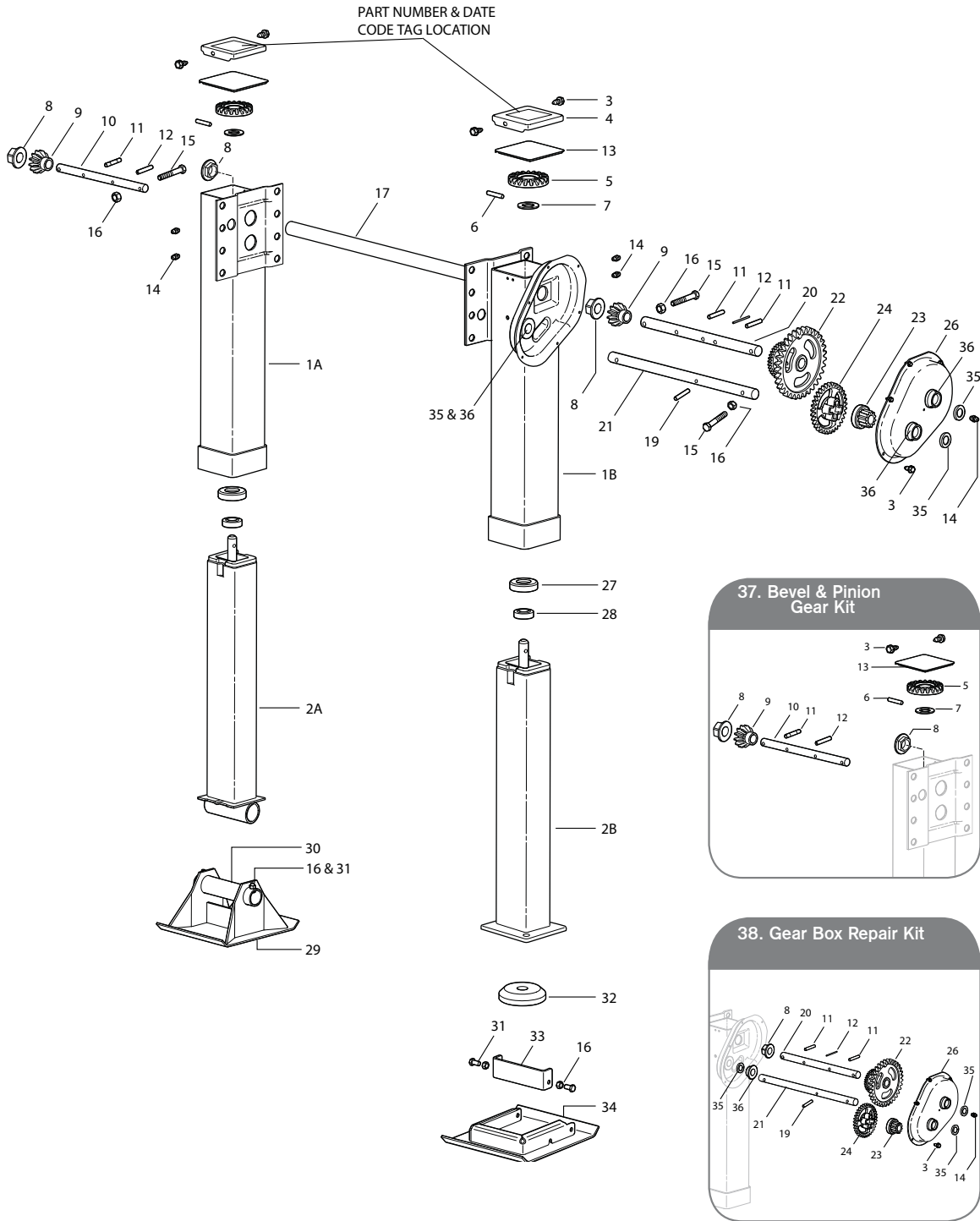
LGR

SAF Holland

# Landing Gear

## Holland Classic Series

### Exploded View



Models & Legs

LGR

SAF Holland

## Holland Classic Series

### Components

Item	Part Number	Description
1A	N/A	Upper Housing LH
1B	N/A	Upper Housing RH
2A	<b>LG3012-03<sup>^</sup></b>	Lower Leg Assembly Sandshoe
2B	<b>LG-742913<sup>^</sup></b>	Lower Leg Assembly Low Profile RCF
3	<b>BINXB-ST5-008-11</b>	Self-Tapping Screw 1/4 in.-20 x 1/2 in.
4	<b>HOL2111100004080</b>	Cover - 4-1/2 x 4-1/2
5	<b>HOLLG2884</b>	Bevel Gear, Machined
6	<b>HOLXA-CRP-V-06635</b>	Pin - 3/8 in. x 2 in.
7	<b>HOLXB-PW-016-62</b>	Flat Washer
8	<b>HOLLG2926</b>	Hex Lock Boss
9	<b>HOLLG1823-02</b>	Pinion Gear, Drilled
10	<b>Jack Shaft LH</b>	
	<b>LG-750004-01<sup>^</sup></b>	- Universal Mount
	<b>LG-750004-04<sup>^</sup></b>	- I-Beam Mount
	<b>LG-750004-05<sup>^</sup></b>	- Extended I-Beam
	<b>LG-750004-02<sup>^</sup></b>	- Conventional Mount
	<b>LG-750004-03<sup>^</sup></b>	- Reverse Mount
11	<b>BINXB-GP-014-18</b>	Groove Pin 3/8 in. x 1-1/2 in. Type E
12	<b>BINXB-SP-014-27</b>	Spring Pin 1/4 in. x 1-1/2 in.
13	<b>XB-LG0893<sup>^</sup></b>	Cover Gasket
14	<b>HOLXB-GRF-022-16</b>	Grease Fitting
15	<b>BINXB-HHC-050-42</b>	Screw - Hex Cap Lg Gr5 3/8 in.-16 x 2-1/4 in.
16	<b>HOLXB-SLN-012-04</b>	Self Locking Nut 3/8 in.-16 Grade B
17	<b>BINLG0094-XXX</b>	Cross Drive Shaft
19	<b>KYS725046</b>	Groove Pin 5/16 in. x 1-1/2 in.
20	<b>Jack Shaft RH</b>	
	<b>LG-750002-01<sup>^</sup></b>	- Universal Mount
	<b>LG-750002-04<sup>^</sup></b>	- I-Beam Mount
	<b>LG-750002-05<sup>^</sup></b>	- Extended I-Beam
	<b>LG-750002-02<sup>^</sup></b>	- Conventional Mount
	<b>LG-750004-03<sup>^</sup></b>	- Reverse Mount
21	<b>Shift Shaft</b>	
	<b>LG-751175-01<sup>^</sup></b>	- Universal Mount
	<b>LG-751175-02<sup>^</sup></b>	- Conventional & I-Beam
	<b>LG-751175-03<sup>^</sup></b>	- Reverse Mount

Item	Part Number	Description
22	<b>KYS750009</b>	Output Gear
23	<b>KYS751173</b>	Input Gear - Low
24	<b>KYS751174</b>	Input Gear - High
26	<b>KYS741158</b>	Gear Box Assembly Outside Half
27	<b>BINXBBRG01377</b>	Thrust Bearing
28	<b>BINXB-LG0544</b>	Collar
29	<b>Sandshoe</b>	
	<b>BINLG0055</b>	- 10 in. x 10 in. x 4-1/2 in.
	<b>BINLG0056</b>	- 10 in. x 10 in. x 2 in.
30	<b>BINLG0070-02</b>	Axle Assembly
31	<b>Hex Cap Screw</b>	
	<b>HOLXB-HHC-050-69</b>	- 3/8 in.-16 x 3/4 in. GR 5 Sandshoe
	<b>HOL201205</b>	- 3/8 in.-16 x 1 in. Low Profile RCF
32	<b>KYS728003</b>	Rubber Pad
33	<b>KYS730638</b>	Strap
34	<b>KYS730640</b>	Low Profile RCF 10 in. x 10 in.
35	<b>BINXB-SEL-030-17</b>	Oil Seal - 1 in. Shaft
36	<b>XB-LG0659<sup>^</sup></b>	Gear Box Boss
37	<b>HOLRK-11488</b>	Bevel & Pinion Gear Kit Universal
38	<b>HOLRK-11489</b>	Gear Box Repair Kit Universal

NOTE: RCF = Removeable Cushion Foot.  
<sup>^</sup>Part included for reference only.

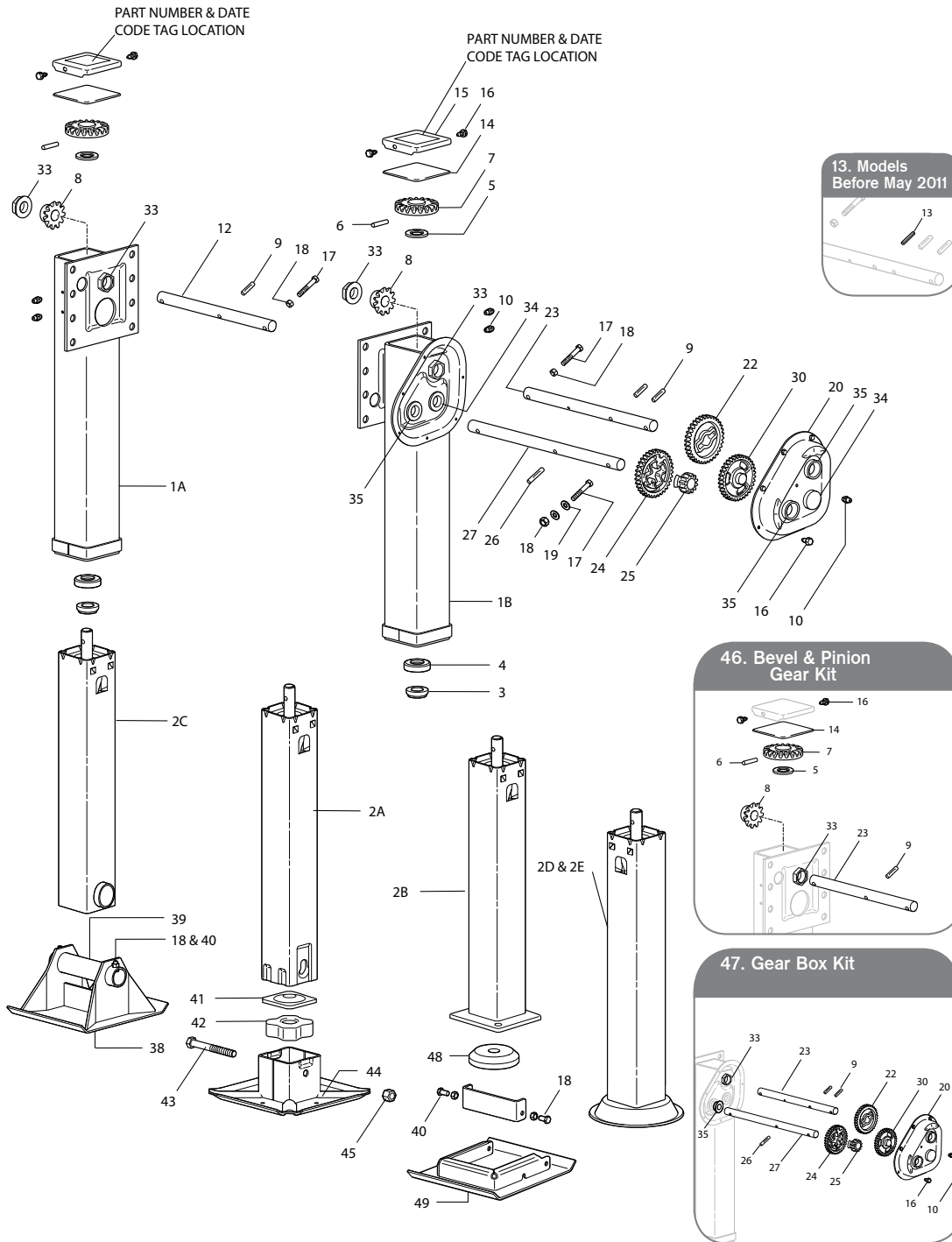
Models & Legs

LGR

# Landing Gear

## Holland Atlas 55 Series

### Exploded View



Models & Legs

LGR

SAF Holland

## Holland Atlas 55 Series

### Components

Item	Part Number	Description
1A	N/A	Upper Housing LH
1B	N/A	Upper Housing RH
2A	LG3053-04 <sup>^</sup>	Retract Tube - RCF
2B	LG3097-03 <sup>^</sup>	Retract Tube Low Profile RCF
2C	LG3012-03 <sup>^</sup>	Retract Tube Axle
2D	LG3061-04 <sup>^</sup>	Retract Tube 10 in. Shock Foot
2E	LG3061-05 <sup>^</sup>	Retract Tube 10 in. Shock Foot
3	BINXB-LG0544	Collar
4	BINXBBRG01377	Thrust Bearing
5	HOLXB-PW-016-62	Washer - FL 2 in. OD 1-3/16 in. ID, 1/8 in. Thk.
6	HOLXA-CRP-V-06635	Pin - 3/8 in. x 2 in.
7	HOLLG2884	Bevel Gear
8	HOLLG1823-02	Pinion Gear
9	BINXB-GP-014-18	Groove Pin 3/8 in. x 1-1/2 in.
10	HOLXB-GRF-022-16	FTG - Grease 1/4 in.-28 Self-Tapping
12	<b>Jack Shaft LH</b>	
	HOLLG2964-01	- Universal Mount
	HOLLG2964-04	- I-Beam Mount
	HOLLG2964-02	- Conventional Mount
	HOLLG2964-03	- Reverse Mount
13		Spring Pin 1/4 in. x 1-1/2 in.
14	XB-LG0893 <sup>^</sup>	Cover Gasket
15	HOL2111100004080	Top Cover
16	BINXB-ST5-008-11	Self-Tapping Screw 1/4 in. - 20 x 1/2 in. Lg
17	BINXB-HHC-050-42	Screw - Hex Cap Lg Gr5 3/8 in.-16 x 2-1/4 in.
18	HOLXB-SLN-012-04	Self Locking Nut 3/8 in.-16 Grade B
19	BINXB-PW-016-03	Washer - 3/8 in.
20	HOLLG2996	Gearbox Half - Outside w/Hole for Grease Fitting
22	HOLLG2980	Output Gear

Item	Part Number	Description
23	<b>Jack Shaft RH</b>	
	HOLLG2963-01	- Universal Mount
	HOLLG2963-04	- I-Beam Mount
	LG2963-02 <sup>^</sup>	- Conventional Mount
	LG2963-03 <sup>^</sup>	- Reverse Mount
24	HOL2040100000060	Input Gear - High
25	HOL2040100000050	Input Gear - Low
26	BINXB-GP-052-21	Groove Pin Type E 3/8 in. x 2 in. LG
27	<b>Shift Shaft</b>	
	HOLLG3011-01	- Universal
	HOLLG3011-02	- I-Beam & Conventional
	HOLLG3011-03	- Reverse
30	HOLLG2975	Idler Gear
33	HOLLG2926	Hex Lock Boss
34	LG3005 <sup>^</sup>	Output Shaft Bushing
35	HOLLG0659-10	Boss Bearing - Sealed
38	<b>Sandshoe</b>	
	BIN50616001	- 10 in. x 10 in. x 4-1/2 in.
	HOL50616000	- 10 in. x 12 in. x 4-1/2 in.
	BIN50616008	- 10 in. x 10 in. x 2 in.
	HOL50616007	- 10 in. x 12 in. x 2 in.
39	BINLG0070-02	Sand Shoe Axle Hollow Axle 8-1/2 in. Lg
40	HOLXB-HHC-050-69	Screw - Hex Cap 3/8 in.-16 x 3/4 in. Gr5
41	BINLG0725	Cushion Foot Plate
42	BINLG0726	Cushion Foot Rubber
43	HOLXB-HHB-050-70	Bolt - Hex Head 5/8 in.-11 x 5-1/2 in.
44	<b>Removeable Cushion Foot</b>	
	BINLG0718-01	- 10 in. Diameter
	BINLG0740-01	- 12 in. Diameter
	BINLG048-01	- 10 in. x 10 in.
45	BINXB-SP0012-10	Self-Locking Nut 5/8 in.-11
46	HOLRK-11442	Bevel & Pinion Gear Repair Kit
47	HOLRK-11443	Gear Box Repair Kit
48	KYS728003	Cushion Foot Pad Low Profile RCF
49	730639 <sup>^</sup>	Interchangeable Collar Low Profile RCF

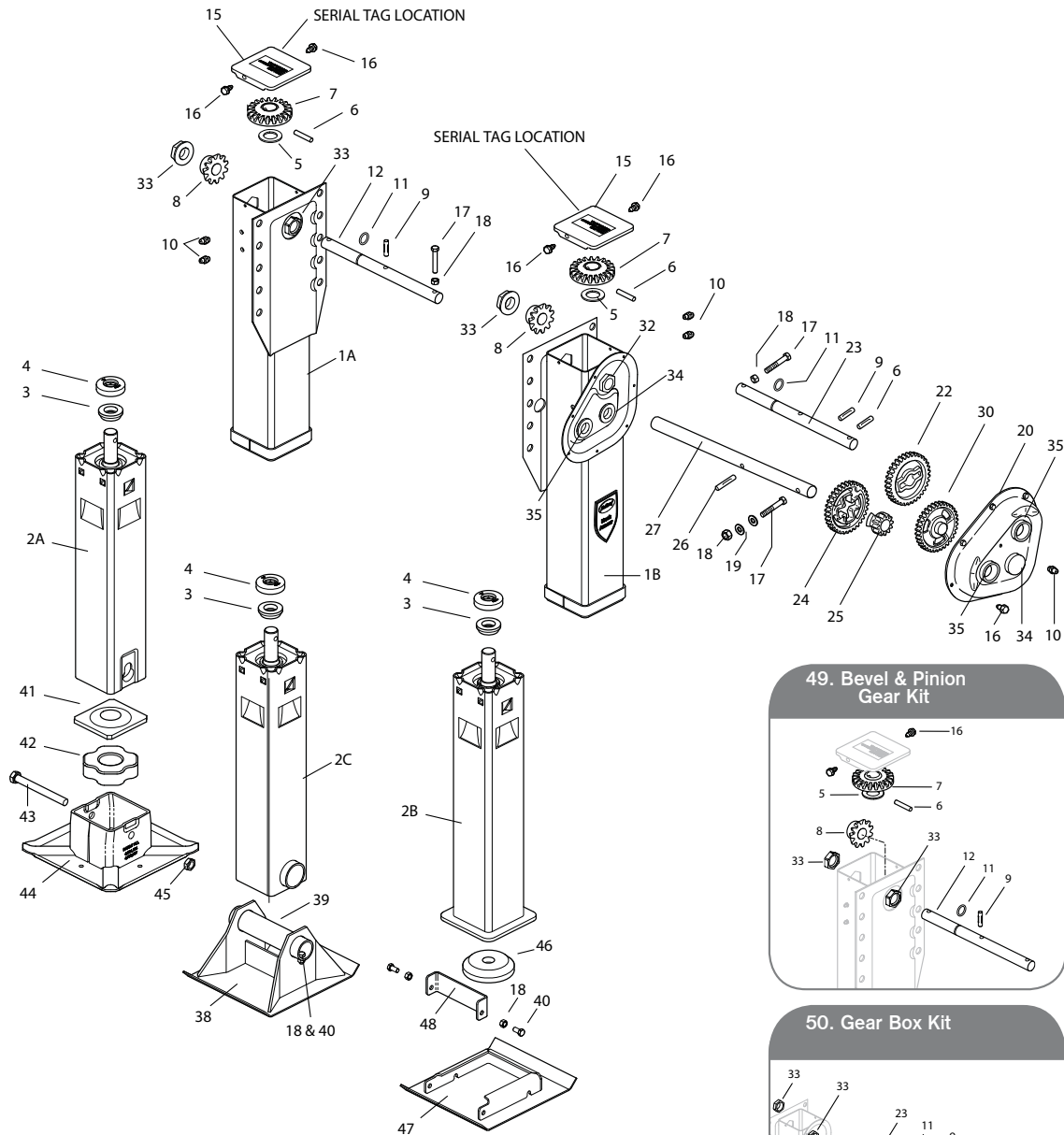
NOTE: RCF = Removeable Cushion Foot.

<sup>^</sup>Part included for reference only.

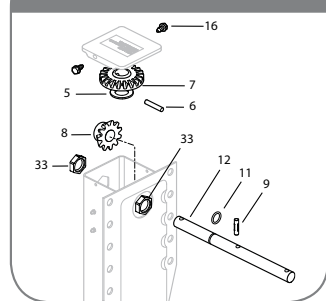
# Landing Gear

## Holland Atlas 65 Series

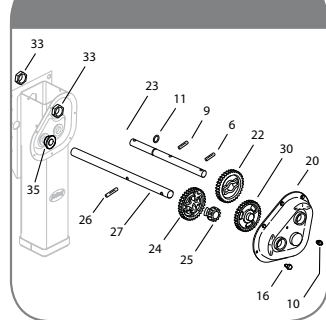
### Exploded View



49. Bevel & Pinion Gear Kit



50. Gear Box Kit



NOTE: RCF = Removeable Cushion Foot.  
\*Part included for reference only.

Models & Legs

LGR

SAF Holland



## Holland Atlas 65 Series

### Components

Item	Part Number	Description
1A	N/A	Upper Housing LH
1B	N/A	Upper Housing RH
2A	2111200000150 <sup>^</sup>	Retract Tube - RCF
2B	2111200002510 <sup>^</sup>	Retract Tube Low Profile RCF
2C	2111200000250 <sup>^</sup>	Retract Tube - Axle
3	BINXB-LG0544	Collar
4	BINXBBRG01377	Thrust Bearing
5	HOLXB-PW-016-62	Washer - FL 2 in. OD 1-3/16 in. ID, 1/8 in. Thk.
6	HOLXA-CRP-V-06635	Pin - Dia 3/8 in. x 2 in.
7	HOLLG2884	Bevel Gear
8	HOLLG1823-02	Pinion Gear
9	BINXB-GP-014-18	Groove Pin Dia 3/8 in. x 1-1/2 in.
10	HOLXB-GRF-022-16	Ftg - Grease 1/4 in.-28 Self-Tapping
11	XB-RNG-021-13 <sup>^</sup>	O-Ring
12	<b>Jack Shaft LH</b>	
	HOL2111100000430	Universal Mount
	HOL2111100000460	I-Beam Mount 6-1/2 in.
	2111100000470 <sup>^</sup>	I-Beam Mount - 10 in.
	HOL2111100000440	Conventional Mount
	HOL2111100000450	Reverse Mount
15	HOL2111100000530	Top Cover
16	BINXB-STS-008-11	Self-Tapping Screw 1/4 in.-20 x 1/2 in. Lg
17	BINXB-HHC-050-42	Screw, Hex Cap 3/8 in.-16 x 2-1/4 in. GR5
18	HOLXB-SLN-012-04	Self-Locking Nut 3/8 in.-16
19	BINXB-PW-016-03	Washer 3/8 in. Std Type A
20	HOLLG2996	Gearbox Half, Outside w/Hole for Grease Fitting Includes (1) Idler Shaft Bushing & (2) Boss Bearing - Sealed
22	HOLLG2980	Output Gear
23	<b>Jack Shaft RH</b>	
	HOL2111100000480	Universal Mount
	HOL2111100000510	I-Beam Mount 6-1/2 in.
	2111100000520 <sup>^</sup>	I-Beam Mount - 10 in.
	HOL2111100000490	Conventional Mount
	HOL2111100000500	Reverse Mount

Item	Part Number	Description
24	HOL2040100000060	Input Gear - High
25	HOL2040100000050	Input Gear - Low
26	BINXB-GP-052-21	Groove Pin Type E Dia 3/8 in. x 2 in. Lg
27	<b>Shift Shaft</b>	
	HOLLG3011-01	Universal
	HOLLG3011-02	I-Beam & Conventional
	HOLLG3011-03	Reverse
30	HOLLG2975	Idler Gear
32	HOL2022100000190	Hex Lock Boss
33	2022300000020 <sup>^</sup>	Hex Lock Boss - Sealed
34	HOLLG3005	Idler Shaft Bushing
35	HOLLG0659-10	Boss Bearing - Sealed
38	<b>Sandshoe</b>	
	BINLG0056	10 in. x 10 in. x 2 in.
	BINLG0051	10 in. x 12 in. x 2 in.
	HOL50616009	12 in. x 12 in. x 2 in.
	HOLLG0056-02	10 in. x 10 in. x 2 in. HD
	BINLG0055	10 in. x 10 in. x 4-1/2 in.
	BINLG0050	10 in. x 12 in. x 4-1/2 in.
	LG0065-04 <sup>^</sup>	12 in. x 12 in. x 4-1/2 in.
	LG1815-05 <sup>^</sup>	16 in. x 16 in. x 4-1/2 in.
	HOLLG0055-01	10 in. x 10 in. x 4-1/2 in. HD
	BINLG0065	10 in. x 12 in. x 4-1/2 in. HD
	BINLG0065-01	12 in. x 12 in. x 4-1/2 in. HD
	LG0065-02 <sup>^</sup>	12 in. x 17 in. x 4-1/2 in. HD
39	BINLG0070-02	Sandshoe Axle Hollow Axle 8-1/2 in. Lg
40	HOLXB-HHC-050-69	Screw, Hex Cap Gr5 3/8 in.-16 x 3/4 in. Lg.
41	HOL2034160000150	Cushion Foot Plate
42	BINXB-LG0713	Cushion Foot Rubber
43	BINXB-HHB-050-58	Bolt - Hex Head 5/8 in.-11 x 6 in.
44	HOL2034200000170	RCF - 10 in. x 10 in.
45	BINXB-SP0012-10	Self-Locking Nut 5/8 in.-11
46	KYS728003	Cushion Foot Pad Low Profile RCF
47	KYS730640	Low Profile RCF
48	KYS730638	Interchangeable Strap
49	RK-11682 <sup>^</sup>	Bevel & Pinion Gear Repair Kit
50	HOLRK-11683	Gear Box Repair Kit

Models & Legs

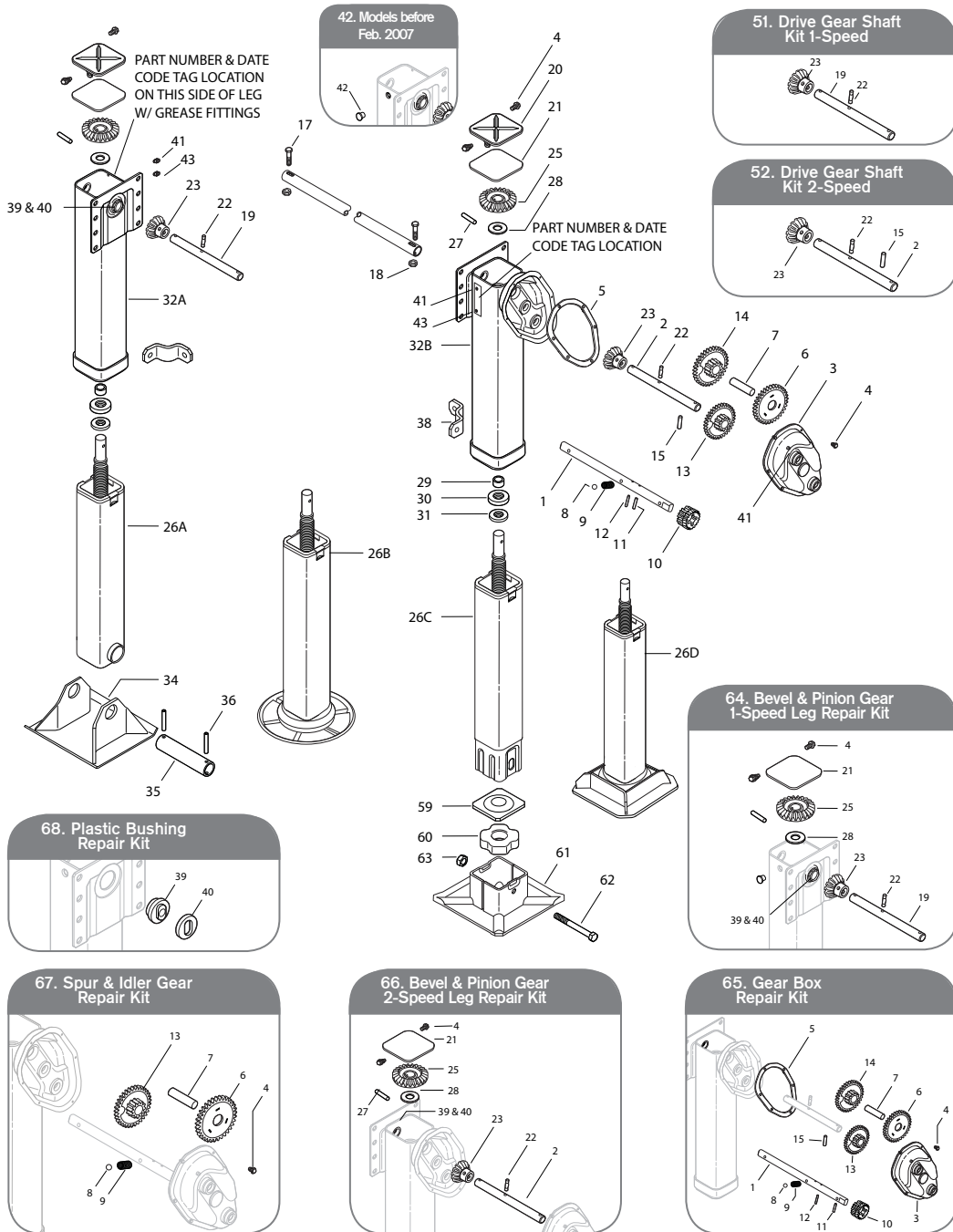
LGR

SAF Holland

## Landing Gear

### Holland Mark V Series

#### Exploded View



NOTE: RCF = Removeable Cushion Foot.  
 \*Part included for reference only.

Models & Legs

LGR

SAF Holland

## Holland Mark V Series

### Components

Item	Part Number	Description
<b>1</b>	<b>Jack Shaft LH</b>	
	<b>HOLXA-V-06623-A</b>	Universal
	<b>HOLXA-V-06623-D</b>	I-Beam
	<b>HOLXA-V-06623-F</b>	Extended I-Beam
	<b>HOLXA-V-06623-C</b>	Conventional
	<b>XA-V-06623-B<sup>A</sup></b>	Reverse
<b>2</b>	<b>Jack Shaft RH</b>	
	<b>BINXA-V-06624-A</b>	Universal
	<b>HOLXA-V-06624-D</b>	I-Beam
	<b>HOLXA-V-06624-F</b>	Extended I-Beam
	<b>HOLXA-V-06624-C</b>	Conventional & Reverse
<b>3</b>	<b>HOLXA-V-06618</b>	Gearbox Cover Assembly
<b>4</b>	<b>HOLXB-06372</b>	Thread Rolling Screw
<b>5</b>	<b>HOLXB-V-06621</b>	Gearbox Gasket
<b>6</b>	<b>HOLXA-V-06602</b>	Idler Gear
<b>7</b>	<b>HOLXA-V-07085</b>	Idler Gear Shaft
<b>8</b>	<b>BINXB-BAL-023-07</b>	Ball
<b>9</b>	<b>BINXB-SPG-020-36</b>	Spring
<b>10</b>	<b>BINXA-V-06604-1</b>	Input Gear - Low
<b>11</b>	<b>HOLXA-CRP-V-06633</b>	Pin- 1/4 in. x 1-7/16 in.
<b>12</b>	<b>HOLXB21-S-218-1500</b>	Spring Pin 7/32 in. x 1-1/2 in.
<b>13</b>	<b>BINXA-V-06603</b>	Input Gear - High
<b>14</b>	<b>BINXA-V-06606</b>	Output Gear
<b>15</b>	<b>HOLCRP-V-06634</b>	Pin- 3/8 in. x 1-1/2 in.
<b>17</b>	<b>HOLXB-V-444-4</b>	HHCS 3/8 in.-16 x 2 in.
<b>18</b>	<b>HOLXB-338</b>	Lock Nut - 3/8 in.-16
<b>19</b>	<b>Shift Shaft RH</b>	
	<b>HOLXA-V-06625-A</b>	Universal
	<b>HOLXA-V-06625-C</b>	I-Beam
	<b>HOLXA-V-06625-F</b>	Extended I-Beam
	<b>HOLXA-V-06625-C</b>	Conventional
	<b>HOLXA-V-06625-B</b>	Reverse
<b>20</b>	<b>HOLXA-V-06611</b>	Upper Leg Cover
<b>21</b>	<b>HOLXB-V-07054</b>	Gasket
<b>22</b>	<b>XB-GP-38-A-12-E<sup>A</sup></b>	Groove Pin 3/8 in. x 1-1/2 in.
<b>23</b>	<b>BINXA-V-06600</b>	Pinion Gear
<b>25</b>	<b>BINXA-V-06601</b>	Bevel Gear
<b>26</b>	<b>Standard Retract Tube</b>	Inner Leg & Screw Assy
<b>26A</b>	<b>XA-V-06628-404-0</b>	Axle
<b>26B</b>	<b>XA-V-06628-414-1</b>	Self Leveling
<b>26C</b>	<b>XA-V-06628-413-2</b>	RCF
<b>26D</b>	<b>XA-V-06628-414-5</b>	Shockfoot
<b>27</b>	<b>HOLXA-CRP-V-06635</b>	Pin- 3/8 in. x 2 in.
<b>28</b>	<b>HOLXB-V-06632</b>	Washer
<b>29</b>	<b>HOLXB-V-06630</b>	Bushing
<b>30</b>	<b>HOLXB-V-647</b>	Thrust Bearing
<b>30</b>	<b>HOLXB-V-647-1</b>	Thrust Bearing - HD
<b>31</b>	<b>HOLXA-V-06629</b>	Collar
<b>32A-B</b>	<b>Upper Leg</b>	1-Speed, 2-Speed

Item	Part Number	Description
<b>34</b>	<b>Sandshoe</b>	
	<b>BINLG0050</b>	12 in. x 11-1/2 in. x 4-1/2 in.
	<b>BINLG0051</b>	12 in. x 11-1/2 in. x 2 in.
	<b>HOLXA-V-796-WS</b>	10 in. x 11-1/2 in. x 3-13/16 in.
	<b>BINLG0056</b>	10 in. x 11-1/2 in. x 2 in.
	<b>HOLXA-HV-796</b>	12 in. x 16 in. x 4 in.
<b>35</b>	<b>HOLXA-V-1901-1</b>	Standard Axle
	<b>HOLXA-V-1903-1</b>	Solid Axle
<b>36</b>	<b>HOLXB-21-S-375-300</b>	Roll Pin- 3/8 in. x 3 in.
<b>38</b>	<b>HOLXA-V-1938</b>	Brace Lug
<b>39</b>	<b>HOLXB-LG-0559</b>	Bearing
<b>40</b>	<b>HOLXB-LG-1570</b>	Retainer
<b>41</b>	<b>HOLXB-767</b>	Lube Fitting
<b>42</b>	<b>XB-01789<sup>A</sup></b>	Plastic Plug
<b>43</b>	<b>HOLXB-767-L</b>	Lube Fitting with Extension
<b>47</b>	<b>HOLXA-V-971</b>	Crankshaft Bracket
<b>48</b>	<b>HOLXB-V-1915</b>	Crank Hanger
	<b>BINXB-LG0085</b>	Crank Hanger
<b>49</b>	<b>Extension Shaft</b>	
	<b>HOLXA-V-1916</b>	Long - 15-7/16 in.
	<b>HOLXA-V-1916-1</b>	Short - 8-15/16 in.
<b>50</b>	<b>HOLXA-V-630-2</b>	Crankshaft Coupling
<b>51</b>	<b>HOLRK-V-07781</b>	Drive Gear Shaft Kit 1-Speed
<b>52</b>	<b>HOLRK-V-07780</b>	Drive Gear Shaft Kit 2-Speed
<b>53</b>	<b>HOLXB-GP-38-138-5</b>	Groove Pin 3/8 in. x 1-3/8 in.
<b>54</b>	<b>HOLXB-3103</b>	Lock Nut- 1/4 in. - 28
<b>55</b>	<b>HOLXB-07618</b>	HHCS 1/4 in. - 28 x 3 in.
<b>56</b>	<b>Extension Bracket</b>	
	<b>HOLXA-V-07601-1</b>	Long - 15-9/16 in.
	<b>HOLXA-V-07601-2</b>	Short - 9-1/16 in.
<b>57</b>	<b>Extension Bracket &amp; Shaft Kit</b>	
	<b>HOLRK-V-07602-1</b>	Long - 15-9/16 in.
	<b>HOLRK-V-07602-2</b>	Short - 9-1/16 in.
<b>58</b>	<b>Extension Bracket &amp; Shaft Kit</b>	
	<b>RK-V-1997-1<sup>A</sup></b>	Long - 15-7/16 in.
	<b>RK-V-1997-2<sup>A</sup></b>	Short - 8-15/16 in.
<b>59</b>	<b>BINLG1829</b>	Cushion Foot Plate
<b>60</b>	<b>BINXB-LG0713</b>	Rubber Cushion
<b>61</b>	<b>HOLXA-V-796-RCF</b>	Removable Cushion Foot
<b>62</b>	<b>HOLXB-HHC-050-114</b>	Hex Head Screw 5/8 in.-11 x 6 in. Gr2
<b>63</b>	<b>HOLXB-06179-2</b>	Top Lock Nut 5/8 in.-11 GrC
<b>64</b>	<b>HOLRK-11286</b>	Bevel & Pinion Gear Repair Kit
<b>65</b>	<b>HOLRK-11287</b>	Gear Box Repair Kit

Models & Legs

LGR

# Landing Gear

## Holland Legs & Sets

### Atlas 55 Series

	Type	Travel	Footware	Additional
<b>BINLG400B-72000000</b>	Set			
<b>BINLG4003-71000000</b>	Non Gear Leg	17 in.	10 in. x 10 in. x 2 in. Sandshoe Low Profile	
<b>BINLG4003-72000000</b>	Gear Leg			
<b>BINLG4001-70000000</b>	Set			
<b>BINLG4001-71000000</b>	Non Gear Leg	17 in.	10 in. x 10 in. x 4-1/2 in. Sandshoe	
<b>BINLG4001-72000000</b>	Gear Leg			
<b>LG4008-70600000<sup>^</sup></b>	Set			
<b>BINLG4008-71600000</b>	Non Gear Leg	17 in.	Shockfoot - 10 in. Diameter	Retract Tube - Shock Can
<b>BINLG4008-72600000</b>	Gear Leg			
<b>BINLG400B-70500000</b>	Set			
<b>BINLG400B-71500000</b>	Non Gear Leg	17 in.	10 in. x 10 in. Removeable Cushion Foot	RCF MRL
<b>BINLG400B-72500000</b>	Gear Leg			
<b>BINLG4001-900000</b>	Set			
<b>BINLG4001-91000000</b>	Non Gear Leg	19 in.	10 in. x 10 in. x 4-1/2 in. Sandshoe	
<b>BINLG4001-92000000</b>	Gear Leg			
<b>BINLG400B-70000000</b>	Set			
<b>BINLG400B-71000000</b>	Non Gear Leg	19 in.	10 in. x 10 in. Removeable Cushion Foot	
<b>BINLG400B-72000000</b>	Gear Leg			

<sup>^</sup>Part included for reference only.



(BINLG4001-70000000)

### Atlas 55 Series Capacities

Lifting Capacity - Rated	55,000 lbs.
100 ft. lbs. Input Torque	
Ultimate Load Capacity	170,000 lbs.
Side Load Capacity	30,000 lbs.

### Atlas 65 Series

	Type	Travel	Footware
<b>BINLG5001-70000000</b>	Set		
<b>BINLG5001-71000000</b>	Non Gear Leg	17 in.	10 in. x 10 in. x 4-1/2 in. Sandshoe
<b>BINLG5001-72000000</b>	Gear Leg		
<b>BINLG5008-70000000</b>	Set		
<b>BINLG5008-71000000</b>	Non Gear Leg	17 in.	Shockfoot - 10 in. Diameter
<b>BINLG5008-72000000</b>	Gear Leg		



(BINLG5001-70000000)

### Atlas 65 Series Capacities

Lifting Capacity - Rated	65,000 lbs.
100 ft. lbs. Input Torque	
Ultimate Load Capacity	170,000 lbs.
Side Load Capacity	34,000 lbs.

Models & Legs

LGR

SAR Holland

## Holland Legs & Sets

### Mark V Series

	Type	Travel	Footware	Additional
<b>HOLLGS-3A001</b>	Set			
<b>HOLXA-S9-3A001</b>	Non Gear Leg	16-1/2 in.	Self-Leveling Dia. 12 in.	
<b>HOLXA-S8-3A001</b>	Gear Leg			
<b>HOLLGS-3A105</b>	Set			
<b>HOLXA-S9-3A105</b>	Non Gear Leg	16-1/2 in.	11-1/2 in. x 12 in. x 4-1/2 in. Std Skid Foot	
<b>HOLXA-S8-3A105</b>	Gear Leg			
<b>HOLLGS-5A105</b>	Set			
<b>HOLXA-S9-5A105</b>	Non Gear Leg	18.7 in.	11-1/2 in. x 12 in. x 4-1/2 in. Std Skid Foot	
<b>HOLXA-S8-5A105</b>	Gear Leg			



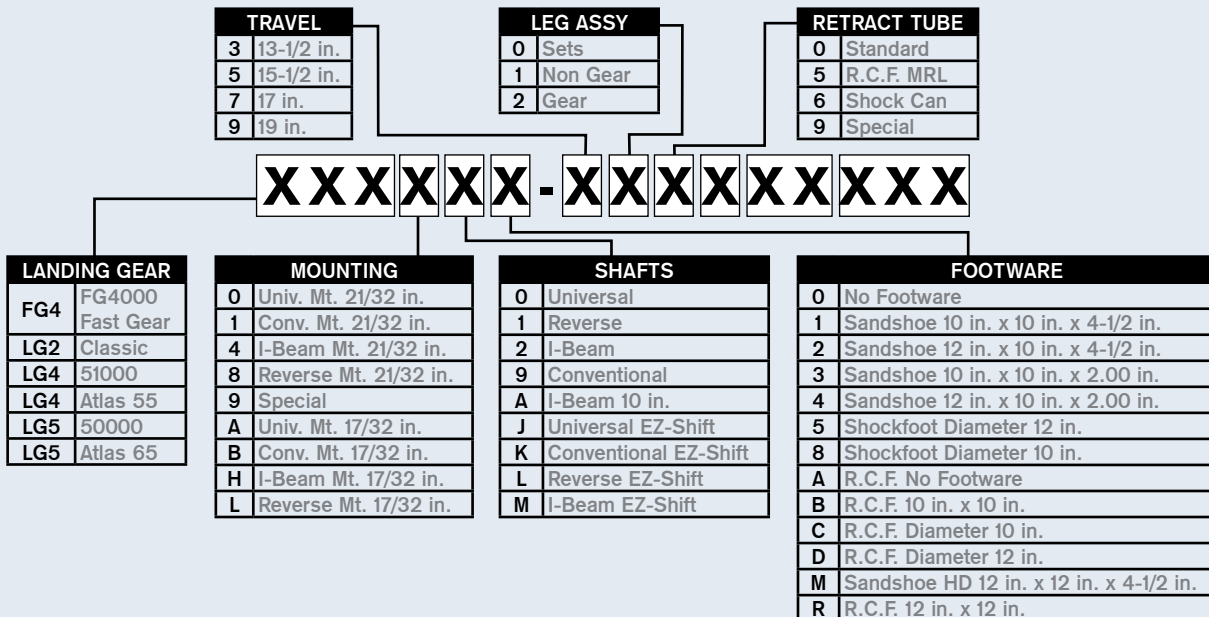
(HOLLGS-3A105)

### Mark V Series Capacities

Lifting Capacity - Rated	39,000 lbs.
100 ft. lbs. Input Torque	
Ultimate Load Capacity	140,000 lbs.
Side Load Capacity	27,000 lbs.

## Quick Reference

### SAF-Holland Part Numbers



# Landing Gear

## Holland Legs & Sets

### Classic Series

	Type	Travel	Footware
<b>PROLG100T-17H</b>	Set		
<b>PROLG100T-17H-1</b>	Non Gear Leg	17 in.	10 in. x 10 in. x 4-1/2 in. Sandshoe
<b>PROLG100T-17H-2</b>	Gear Leg		
<b>PROLG100T1-17H</b>	Set		
<b>PROLG100T1-17H-1</b>	Non Gear Leg	17 in.	10 in. x 10 in. x 2 in. Sandshoe
<b>PROLG100T1-17H-2</b>	Gear Leg		
<b>PROLG100G-17H</b>	Set		
<b>PROLG100G-17H-1</b>	Non Gear Leg	17 in.	10 in. x 10 in. Cushion Foot
<b>PROLG100G-17H-2</b>	Gear Leg		



(PROLG100T1-17H)

### Classic Series Capacities

Lifting Capacity - Rated	39,000 lbs.
100 ft. lbs. Input Torque	
Ultimate Load Capacity	140,000 lbs.
Side Load Capacity	27,000 lbs.

Models & Legs

LGR



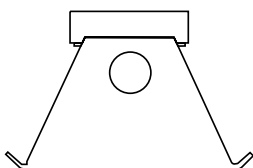
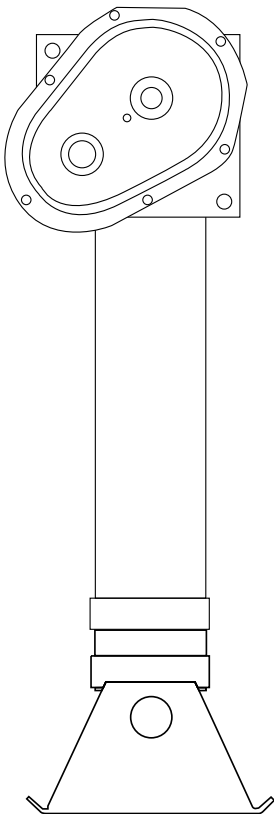
**More Information**

**Landing Gear Identification**

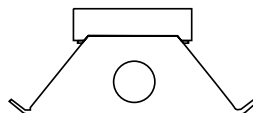
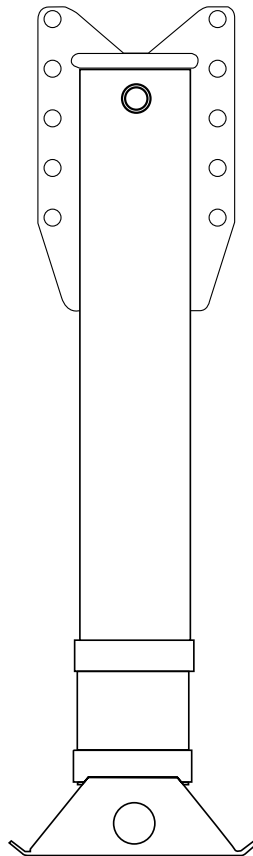
- External Gear Box
- Standard mount
- Standard Sandshoe

- Internal Gear Box
- Heavy Duty mount
- Low Profile Sandshoe

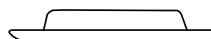
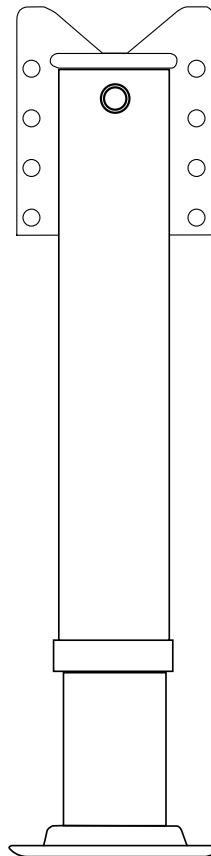
- Internal Gear Box
- Standard mount
- Cushion Foot



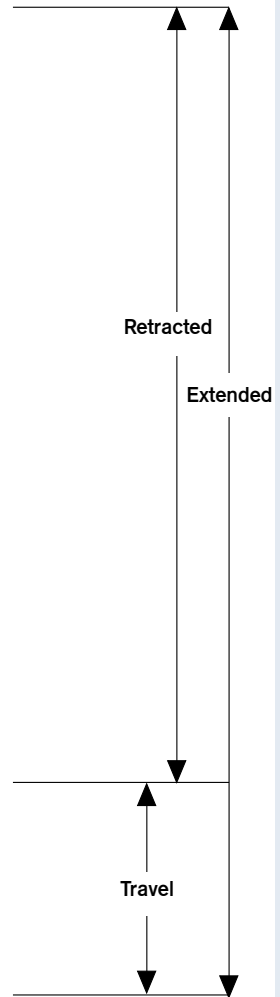
Standard Sandshoe



Low Profile Sandshoe



Cushion Foot



Models & Legs

**LGR**

# Landing Gear

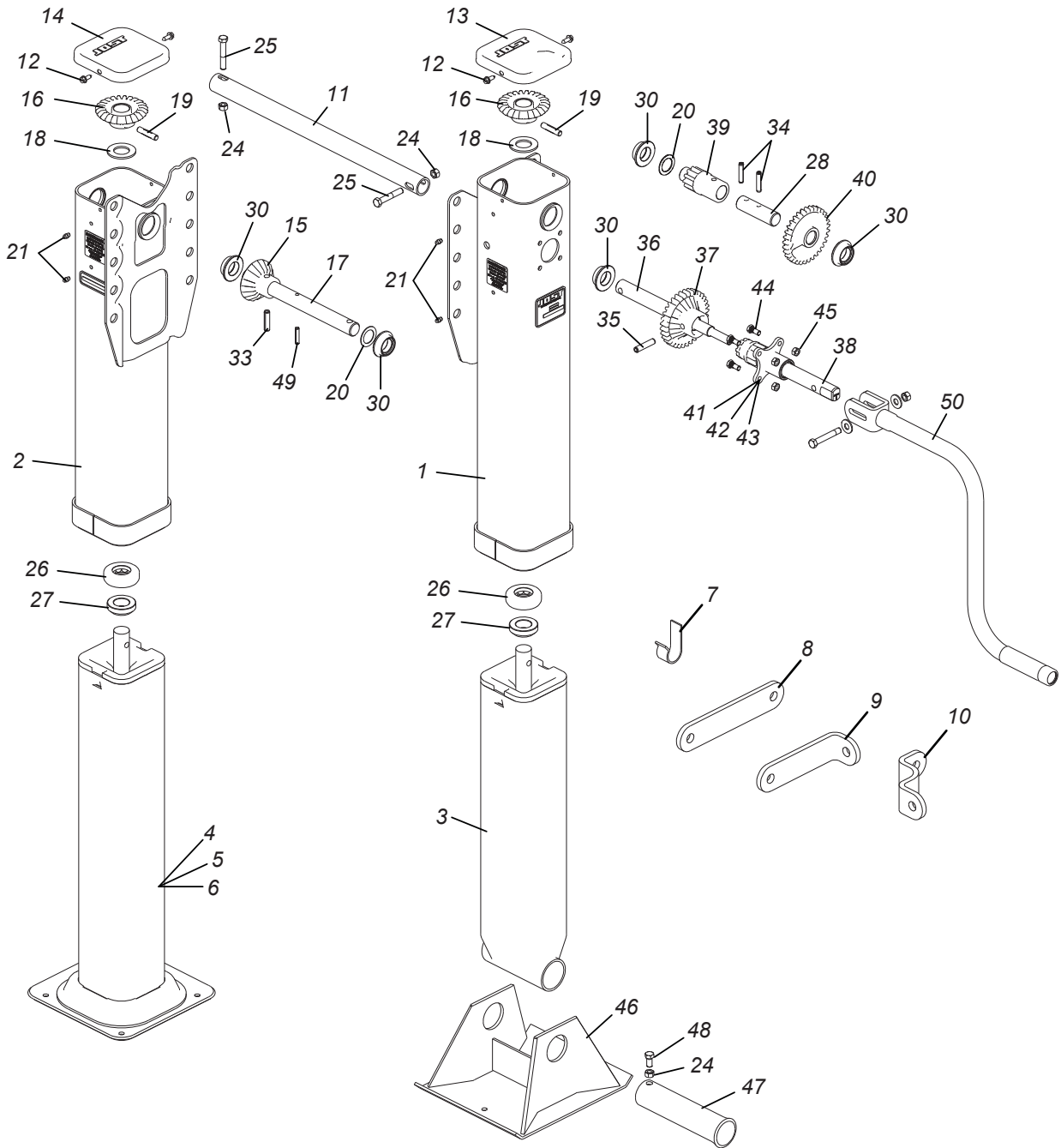
## Jost

### A400 - A401 Model - Exploded View

Models & Legs

LGR

JOST





## Jost

### Components

Item	Part Number	Description
1	<b>D10201.1<sup>^</sup></b>	Outer Housing 2 Speed
2	<b>D10116.2<sup>^</sup></b>	Outer Housing 1 Speed
3	<b>C10140.2<sup>^</sup></b>	Inner Leg Assy - Standard
4	<b>C10146.2<sup>^</sup></b>	Inner Leg Assy - 10 in. Cushion
5	<b>C10254.2<sup>^</sup></b>	Inner Leg Assy - 12 in. Cushion
6	<b>C10580.2<sup>^</sup></b>	Inner Leg Assy - G3
7	<b>JOSB10261</b>	Crank Hanger
8	<b>JOSC10262</b>	Brace Lug- Flat
9	<b>JOSC10263</b>	Brace Lug- 90°
10	<b>JOSC10108</b>	Brace Lug- W Standard
11	<b>JOSB10066.68.4</b>	Intermediate Cross Shaft
12	<b>A10059.1<sup>^</sup></b>	Cover Screw
13	<b>JOSC10217</b>	Cover- 2 Speed
14	<b>JOSC10259</b>	Cover- 1 Speed
15	<b>JOSC-10177</b>	Pinion Gear
16	<b>JOSC10155</b>	Bevel Gear
17	<b>JOSB10130</b>	Pinion Shaft- 1 Speed
18	<b>JOSA10102</b>	Thrust Washer
19	<b>JOSA10052.3</b>	Grooved Pin
20	<b>JOSA10218</b>	Spacer Washer
21	<b>A10040<sup>^</sup></b>	Grease Fitting
22	<b>JOSA10283</b>	Grease Seal
23	<b>C10209<sup>^</sup></b>	Strut Brace
24	<b>NUT-HNUNY06</b>	Self Locking Nut
25	<b>A10037.1<sup>^</sup></b>	Cross Shaft Bolt 3/8 in. x 2 in. Gr5
26	<b>JOSA10033</b>	Thrust Bearing
27	<b>JOSA10101</b>	Collar
28	<b>A10212<sup>^</sup></b>	Output Shaft
30	<b>JOSA10255</b>	Bushing
31	<b>A10642.2<sup>^</sup></b>	Detent Bushing
33	<b>JOSA10054.3</b>	Roll Pin- 3/8 in. x 1-1/2 in.
34	<b>JOSA10260.1</b>	Spiral Pin
35	<b>JOSA10054.7</b>	Roll Pin- 3/8 in. x 1-3/4 in.
36	<b>JOSB10236</b>	Output Cluster Shaft
37	<b>JOSC10234</b>	Output Cluster Gear

Item	Part Number	Description
38	<b>JOSC10233</b>	Input Gear Shaft
39	<b>JOSC10078</b>	Output Spur Gear
40	<b>JOSC10085</b>	Input Spur Gear
41	<b>JOSA10049</b>	Detent Spring
42	<b>JOSA10048</b>	Detent Ball
43	<b>JOSB10229</b>	Shift Housing
44	<b>A10230<sup>^</sup></b>	Shift Housing Bolt
45	<b>A10038.6<sup>^</sup></b>	Self Locking Nut
46	<b>Shoe</b>	
	<b>JOSC10035</b>	10 in. x 10 in. x 4-1/2 in.
	<b>JOSC10135</b>	10 in. x 10 in. x 2 in.
	<b>JOSC10256</b>	10 in. x 12 in. x 4-1/2 in.
	<b>JOSC10257</b>	10 in. x 12 in. x 2 in.
47	<b>JOSB10036</b>	Shoe Axle
48	<b>A10037.3<sup>^</sup></b>	Hex Head Bolt
49	<b>A10054.6<sup>^</sup></b>	Roll Pin- 1/4 in. x 1-1/4 in.
50	<b>JOSC10592.2</b>	Standard Crank with Hardware

NOTE: RCF = Removeable Cushion Foot.

<sup>^</sup>Part included for reference only.

### Additional Shoe & Kit Options

Removeable Cushion Foot Assy **JOSC11188**  
- 1 in. x 10 in. x 10 in.

Removeable Cushion Foot Assy **JOSC111502**  
- 1 in. x 12 in. x 12 in.

Cushion Foot Service Kit **JOSC10717**  
- Includes Cushion Foot Ring  
Halves, Rubber Cushion &  
Cushion Foot Base

# Landing Gear

## Jost Legs & Sets

### Standard - Outside Mount

	Type	Travel	Footware	Additional
JOSA400T-17	Set			
JOSA400LT-17	Non Gear Leg	17 in.	10 in. x 10 in. x 4-1/2 in. Sandshoe	Standard Zerk Fitting
JOSA400RT-17	Gear Leg			
JOSA400T1-17	Set			
JOSA400LT1.17	Non Gear Leg	17 in.	10 in. x 10 in. x 2 in. Sandshoe	Standard Zerk Fitting
JOSA400RT1.17	Gear Leg			
JOSA400G-17-08	Set			
JOSA400LG-17-08	Non Gear Leg	17 in.	10 in. x 10 in. Cushion Foot	65° Zerk Fitting
JOSA400RG-17-08	Gear Leg			
JOSA400G3-17-08	Set			
JOSA400LG3-17-08	Non Gear Leg	17 in.	10 in. x 10 in. Low Profile Cushion Foot	65° Zerk Fitting
JOSA400RG3-17-08	Gear Leg			
JOSA400.T18.17	Set			
JOSA400L.T18.17	Non Gear Leg	17 in.	10 in. x 10 in. 4-1/2 in. Sandshoe	Solid Axle
JOSA400R.T18.17	Gear Leg			
JOSA400T-19	Set			
JOSA400LT-19	Non Gear Leg	19 in.	10 in. x 10 in. x 4-1/2 in. Sandshoe	Standard Zerk Fitting
JOSA400RT-19	Gear Let			
JOSA400T1-19-08	Set			
JOSA400LT1-19-08	Non Gear Leg	19 in.	10 in. x 10 in. x 2 in. Sandshoe	65° Zerk Fitting
JOSA400RT1-19-08	Gear Leg			
JOSA400G-19-08	Set			
JOSA400LG-19-08	Non Gear Leg	19 in.	10 in. x 10 in. Cushion Foot	65° Zerk Fitting
JOSA400RG-19-08	Gear Leg			

### Standard - Inside Mount

	Type	Travel	Footware	Additional
JOSA401T-17	Set			
JOSA401LT-17	Non Gear Leg	17 in.	10 in. x 10 in. x 4-1/2 in. Sandshoe	Standard Zerk Fitting
JOSA401RT-17	Gear Leg			
JOSA401T1-17-08	Set			
JOSA401LT1-17-08	Non Gear Leg	17 in.	10 in. x 10 in. x 2 in. Sandshoe	65° Zerk Fitting
JOSA401RT1-17-08	Gear Leg			
JOSA401T1-17-14	Set			
JOSA401LT1-17-14	Non Gear Leg	17 in.	10 in. x 10 in. x 2 in. Sandshoe	Cold Weather Grease
JOSA401RT1-17-14	Gear Leg			
JOSA401G-17-08	Set			
JOSA401LG-17-08	Non Gear Leg	17 in.	10 in. x 10 in. Cushion Foot	65° Zerk Fitting
JOSA401RG-17-08	Gear Leg			
JOSA401G3-17-08	Set			
JOSA401LG3-17-08	Non Gear Leg	17 in.	10 in. x 10 in. Low Profile Cushion Foot	65° Zerk Fitting
JOSA401RG3-17-08	Gear Leg			
JOSA401G3-19	Set			
JOSA401LG3-19	Non Gear Leg	19 in.	10 in. x 10 in. Low Profile Cushion Foot	Standard Zerk Fitting
JOSA401RG3-19	Gear Leg			

Models & Legs

LGR

JOST

## Jost Legs & Sets

### Magnum - Inside Mount

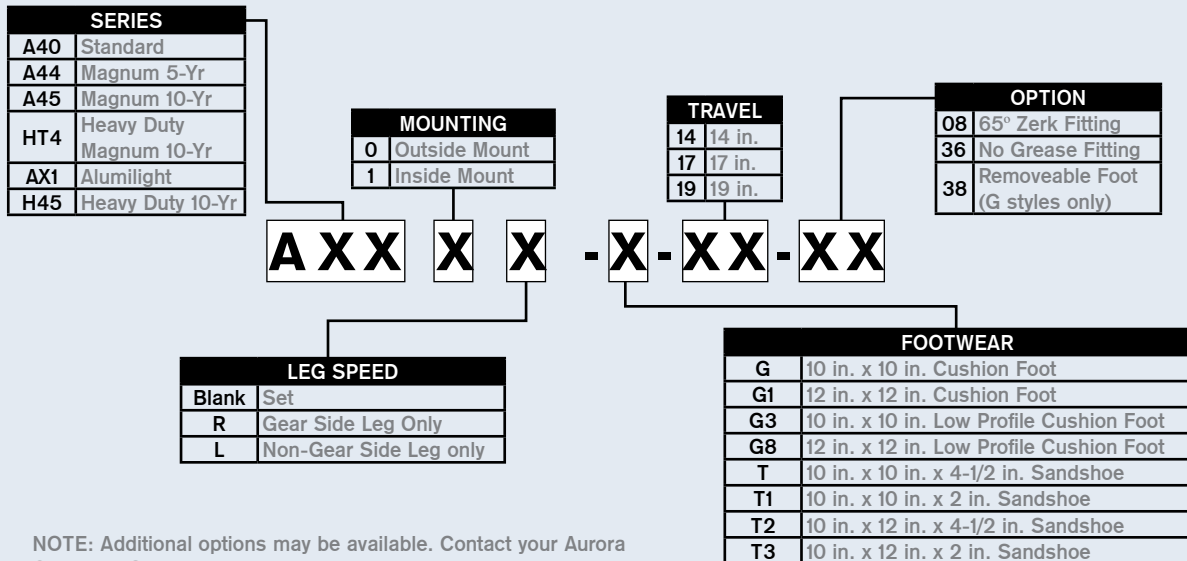
	Type	Travel	Footware	Additional
<b>JOSA441T1-17-08</b>	Set			
<b>JOSA441LT1-17-08</b>	Non Gear Leg	17 in.	10 in. x 10 in. x 2 in. Sandshoe	65° Zerk Fitting
<b>JOSA441RT1-17-08</b>	Gear Leg			
<b>JOSA441.T1.17.08</b>	Set			
<b>JOSA441LG3-17-08</b>	Non Gear Leg	17 in.	10 in. x 10 in. Low Profile Cushion Foot	65° Zerk Fitting
<b>JOSA441RG3-17-08</b>	Gear Leg			
<b>A441T1-17-36^</b>	Set			
<b>JOSA441LT1-17-36</b>	Non Gear Leg	17 in.	10 in. x 10 in. x 2 in. Sandshoe	No Grease Fitting
<b>JOSA441RT1-17-36</b>	Gear Leg			
<b>JOSA441.G3.17.36</b>	Set			
<b>JOSA441LG3-17-36</b>	Non Gear Leg	17 in.	10 in. x 10 in. Low Profile Cushion Foot	No Grease Fitting
<b>JOSA441RG3-17-36</b>	Gear Leg			

### 10 Year Magnum - Inside Mount

	Type	Travel	Footware	Additional
<b>JOSA451G3-17</b>	Set			
<b>JOSA451LG3-17</b>	Non Gear Leg	17 in.	10 in. x 10 in. Low Profile Cushion Foot	Standard Zerk Fitting
<b>JOSA451RG3-17</b>	Gear Leg			

## Quick Reference

### JOST Part Numbers



### Capacities & Ratings

STANDARD	
Maximum Static Load Rating	160,000 lbs.
Rated Lift Capacity (100 ft. lbs. Input Torque)	55,000 lbs.
Side Load Capacity	29,000 per Set

MAGNUM & 10-YR MAGNUM	
Maximum Static Load Rating	170,000 lbs.
Rated Lift Capacity (100 ft. lbs. Input Torque)	62,500 lbs.
Side Load Capacity	33,000 per Set

# Landing Gear

## Pro-Par Legs & Sets

### F-Style

	Type	Travel	Footware / Additional
<b>PROK51PLT</b>	Set		
<b>PROK51PLT-1</b>	Non Gear Leg	16-7/8 in.	10 in. x 10 in. x 4-1/2 in. Sandshoe
<b>PROK51PLT-2</b>	Gear Leg		



### F-Style Capacities

Lifting Capacity - Rated	39,000 lbs.
100 ft. lbs. Input Torque	
Ultimate Load Capacity	140,000 lbs.
Side Load Capacity	27,000 lbs.

### H-Style

	Type	Travel	Footware / Additional
<b>PROLG100T-17H</b>	Set		
<b>PROLG100T-17H-1</b>	Non Gear Leg	17 in.	10 in. x 10 in. x 4-1/2 in. Sandshoe
<b>PROLG100T-17H-2</b>	Gear Leg		
<b>PROLG100T1-17H</b>	Set		
<b>PROLG100T1-17H-1</b>	Non Gear Leg	17 in.	10 in. x 10 in. x 2 in. Sandshoe
<b>PROLG100T1-17H-2</b>	Gear Leg		
<b>PROLG100G-17H</b>	Set		
<b>PROLG100G-17H-1</b>	Non Gear Leg	17 in.	10 in. x 10 in. Cushion Foot
<b>PROLG100G-17H-2</b>	Gear Leg		
<b>PROLG100T18-17H</b>	Set		
<b>PROLG100T18-17H-1</b>	Non Gear Leg	17 in.	Low Profile Sandshoe Solid Axle
<b>PROLG100T18-17H-2</b>	Gear Leg		



### H-Style Gear Kits

Gear Box Kit CMS2	HOLRK-11291
Bevel & Pinion Gear	HOLRK-11290
Repair Kit	

### H-Style Capacities

Lifting Capacity - Rated	39,000 lbs.
100 ft. lbs. Input Torque	
Ultimate Load Capacity	140,000 lbs.
Side Load Capacity	27,000 lbs.

### J-Style

	Type	Travel	Footware / Additional
<b>PROLG101T-17J</b>	Set		
<b>PROLG101T-17J-1</b>	Non Gear Leg	17 in.	10 in. x 10 in. x 4-1/2 in. Sandshoe Inside Mount
<b>PROLG101T-17J-2</b>	Gear Leg		
<b>PROLG101T1-17J</b>	Set		
<b>PROLG101T1-17J-1</b>	Non Gear Leg	17 in.	10 in. x 10 in. x 2 in. Sandshoe Inside Mount
<b>PROLG101T1-17J-2</b>	Gear Leg		
<b>PROLG100T-17J</b>	Set		
<b>PROLG100T-17J-1</b>	Non Gear Leg	17 in.	10 in. x 10 in. x 4-1/2 in. Sandshoe Outside Mount
<b>PROLG100T-17J-2</b>	Gear Leg		
<b>PROLG100T1-17J</b>	Set		
<b>PROLG100T1-17J-1</b>	Non Gear Leg	17 in.	10 in. x 10 in. x 2 in. Sandshoe Outside Mount
<b>PROLG100T1-17J-2</b>	Gear Leg		



### J-Style Capacities

Lifting Capacity - Rated	50,000 lbs.
100 ft. lbs. Input Torque	
Ultimate Load Capacity	140,000 lbs.
Side Load Capacity	26,000 lbs.

## Pro-Par

Models & Legs

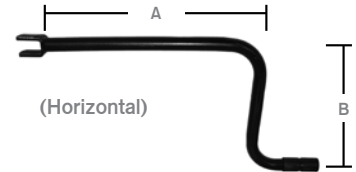
LGR



## Crank Handles

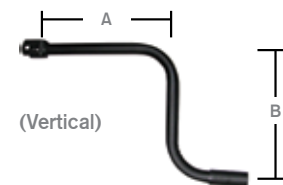
### Horizontal Fold

	A	B	Diameter	Type	Notes
<b>BUF1003-1695</b>	7-1/4 in.	13 in.	1-1/4 in.	T-Slot	
<b>PEN03-207-H</b>	7-1/4 in.	13 in.	1-1/4 in.	T-Slot	
<b>PROLG-CR07H</b>	7-1/4 in.	13 in.	1-1/4 in.	T-Slot	
<b>JOSC10591.2</b>	8-1/4 in.	14 in.	1 in.		
<b>JOSC10591.3</b>	10-1/2 in.	14 in.	1 in.		
<b>JOSC10591.3SER</b>	10-1/2 in.	14 in.	1 in.		Round Hole
<b>BUF1003-1296</b>	11 in.	13 in.	1-1/4 in.	T-Slot	
<b>PEN03-211-H</b>	11 in.	13 in.	1-1/4 in.	T-Slot	
<b>PROLG-CR11H</b>	11 in.	13 in.	1-1/4 in.	T-Slot	
<b>HOLXA-V-90-4</b>	11-5/8 in.	14 in.	1-1/32 in.	Square	
<b>BINLG0083-04</b>	12-3/8 in.	14 in.	1-1/32 in.		
<b>KYS112003</b>	14 in.				
<b>HOLXA-V-90-6</b>	14-1/2 in.	14 in.	1-1/32 in.	Slot	Mark V
<b>JOSC10591.5</b>	14-3/4 in.	14 in.	1 in.		
<b>BUF1003-1297</b>	15 in.	13 in.	1-1/4 in.		
<b>PEN03-215-H</b>	15-7/8 in.	13 in.	1-1/4 in.	T-Slot	
<b>PROLG-CR15H</b>	15 in.	13 in.	1-1/4 in.	T-Slot	
<b>HOLXA-V-90-13</b>	17 in.	14 in.	1-1/32 in.	Slot	Mark V
<b>BUF1003-1298</b>	21 in.	13 in.	1-1/4 in.	T-Slot	
<b>PEN03-221-H</b>	21 in.	13 in.	1-1/4 in.	T-Slot	
<b>PROLG-CR21H</b>	21 in.	13 in.	1-1/4 in.	T-Slot	



### Vertical Fold

	A	B	Diameter	Type	Notes
<b>BINLG0083-01</b>	6-3/4 in.	14 in.	1-1/32 in.		
<b>BUF1003-1664</b>	7-1/4 in.	13 in.	1-1/4 in.	T-Slot	
<b>PEN03-207-V</b>	7-1/4 in.	13 in.	1-1/4 in.	T-Slot	
<b>PROLG-CR07V</b>	7-1/4 in.	13 in.	1-1/4 in.	T-Slot	
<b>FRUSXA0250-6</b>	7-1/2 in.	12 in.	7/8 in.	Fruehauf	
<b>JOSC10592.2</b>	8-1/4 in.	14 in.	1 in.	Slot	Mark V
<b>HOLXA-V-90-0</b>	9-1/8 in.	14 in.	1-1/32 in.		
<b>BUF1003-6857</b>	9-1/8 in.	14 in.	1-1/4 in.	Square	
<b>JOSC10592.3</b>	10-1/2 in.	14 in.	1 in.		
<b>BUF1003-1365</b>	11 in.	13 in.	1-1/4 in.	T-Slot	
<b>PEN03-211-V</b>	11 in.	13 in.	1-1/4 in.	T-Slot	
<b>PROLG-CR11V</b>	11 in.	13 in.	1-1/4 in.	T-Slot	
<b>BUF1003-6858</b>	11-5/8 in.	14 in.	1-1/4 in.	Square	
<b>BUF1003-6859</b>	14-1/2 in.	14 in.	1-1/4 in.	Square	
<b>JOSC10592.5</b>	14-3/4 in.		1 in.		
<b>BUF1003-1366</b>	15 in.	13 in.	1-1/4 in.	T-Slot	
<b>PEN03-215-V</b>	15-7/8 in.	13 in.	1-1/4 in.	T-Slot	
<b>PROLG-CR15V</b>	15 in.	13 in.	1-1/4 in.	T-Slot	
<b>HOLXA-V-90-10</b>	17 in.	14 in.	1 in.	Slot	Mark V
<b>BUF1003-6863</b>	17 in.	14 in.	1-1/4 in.	Square	
<b>JOSC10592-4</b>	17-3/4 in.	14 in.	1 in.		
<b>BUF1003-6430</b>	19 in.	14 in.	1-1/4 in.	Square	
<b>FLT013-00440</b>	20 in.	13-1/2 in.	1-1/4 in.	Standard	
<b>BUF1003-1367</b>	21 in.	13 in.	1-1/4 in.	T-Slot	
<b>HOLXA-V-90-12</b>	21 in.	14 in.	1-1/32 in.	Slot	Mark V
<b>PEN03-221-V</b>	21 in.	13 in.	1-1/4 in.	T-Slot	
<b>PROLG-CR21V</b>	21 in.	13 in.	1-1/4 in.	T-Slot	



Models & Legs



*Jump*

**LGR**

**JUST**

**SAF Holland**

# Landing Gear

## Crank Handle Holders

**Crank Hanger**  
BINLG0085-P



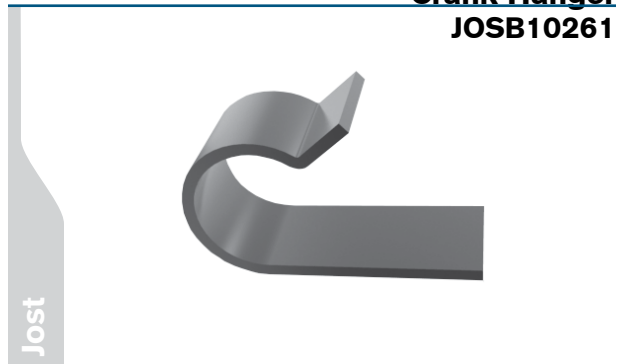
**Crank Handle Keeper**  
BUF1003-1406



**Crank Handle Hook Wire**  
HOLXB-LG0089



**Crank Hanger**  
JOSB10261



**Crank Hanger**  
PROLG-HA01



**Crank Hanger**  
PROLG-HA02



## Crank Shafts

	Length	Additional Info
<b>BINLG0261-01</b>	19-1/4 in.	Universal Mount
<b>BUF1004-1368</b>	19-1/4 in.	



(BUF1004-1368)

Models & Legs

## Cross Shafts

	Length	Additional Info
<b>JOSB10066.43.4</b>	43-2/5 in.	CIMC chassis
<b>JOSB10363.53.72</b>	53.72 in.	reverse mount
<b>JOSB10363.55.87</b>	55-7/8 in.	reverse mount
<b>JOSB10363.56.5</b>	56-1/2 in.	reverse mount
<b>BINLG0094-6500</b>	65 in.	
<b>BUF1005-1385</b>	65 in.	
<b>PROLG-XS65</b>	65 in.	
<b>BINLG0094-6650</b>	66-1/2 in.	
<b>JOSB10066.68.4</b>	68-2/5 in.	outside mount
<b>BUF1005-2388</b>	69 in.	
<b>PROLG-XS69</b>	69 in.	
<b>JOSB10066.72.0</b>	72 in.	outside mount
<b>FRUSCE8322-1</b>	74-3/4 in.	
<b>JOSB10066.77.4</b>	77-1/4 in.	outside mount
<b>BINLG0094-8050</b>	80-1/2 in.	drive
<b>PROLG-XS37-56</b>	37 to 56 in.	adjustable 3 piece
<b>CROTCS-4479</b>	44 to 79 in.	telescopic
<b>BUF1005-1478</b>	53 to 72 in.	adjustable 3 piece
<b>PEN04-552</b>	53 to 72 in.	adjustable 3 piece
<b>PROLG-XS53-72</b>	53 to 72 in.	adjustable 3 piece



## Repair Kits

**Shaft Assembly Kit**  
JOSB10285



Jost

B10229/C10233

## More Information

### Bolt Kits

Part Number	Description
BLTFSP005-05KIT	landing gear bolt kit, 5/8-18 x 1-7/8 grade 8 bolts

Models & Legs

LGR

# Landing Gear

## Shoes

### Cushion Foot

	Description	Additional Info
<b>BINLG0045-01</b>	Kit - 10 in. Round Cushion Foot	For 51000/52000 Model
<b>BINLG0048-01</b>	Kit - 10 in. x 10 in. Square Removeable Cushion Foot	For 51000/52000 Model
<b>HOLXA-V-796-RCF</b>	Cushion Foot - 10 in. x 10 in. Square Removeable	For Mark V Model



(BINLG0045-01)



(BINLG0048-01)



(HOLXA-V-796-RCF)

### Sandshoe - Standard

	A	B	C	Sides	Base	Gusset	Additional
<b>BUF1001-8069</b>	3-1/2 in.	12 in.	10 in.	7 ga	7 ga	Single	With Patch
<b>BUF1001-8069-KIT-P</b>	3-1/2 in.	12 in.	10 in.	7 ga	7 ga	Single	With Patch
<b>BUF1001-1291</b>	4-3/8 in.	10 in.	10 in.	7 ga	7 ga	Single	Flared Hole
<b>BUF1001-1292</b>	4-3/8 in.	10 in.	10 in.	7 ga	7 ga	Single	1/4 in. Patch
<b>PEN05-300</b>	4-3/8 in.	10 in.	10 in.	7 ga	7 ga	Single	Flared Hole
<b>PROLGS-SH10X10X4</b>	4-3/8 in.	10 in.	10 in.			Single	Flared Hole
<b>PEN05-320</b>	4-3/8 in.	10 in.	10 in.	1/4 in.	7 ga	Single	No Patch
<b>PEN05-330</b>	4-3/8 in.	10 in.	10 in.	1/4 in.	7 ga	Single	1/4 in. Patch
<b>PROLGS-SH10X10X4HD</b>	4-3/8 in.	10 in.	10 in.	1/4 in.		Single	1/4 in. Patch
<b>BUF1001-6231</b>	4-3/8 in.	12 in.	10 in.	3/16 in.	3/16 in.	Single	Flared Hole
<b>PEN05-339</b>	4-3/8 in.	12 in.	12 in.	1/4 in.	1/4 in.	Double	Flared Hole



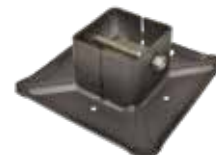
### Sandshoe - Low Profile

	A	B	C	Sides	Base	Gusset	Additional
<b>BUF1001-1295</b>	1-3/4 in.	10 in.	10 in.	7 ga.	7 ga.	None	1/4 in. Patch
<b>PEN05-310</b>	1-3/4 in.	10 in.	10 in.	7 ga.	7ga.	None	1/4 in. Patch
<b>PROLGS-SH10X10X2</b>	1-3/4 in.	10 in.	10 in.	7 ga.	7ga.	None	1/4 in. Patch
<b>PEN05-311</b>	1-3/4 in.	10 in.	10 in.	1/4 in.	1/4 in.	None	1/4 in. Patch
<b>PROLGS-SH10X10X2HD</b>	1-3/4 in.	10 in.	10 in.	1/4 in.	1/4 in.	None	1/4 in. Patch
<b>BUF1001-6476</b>	1-3/4 in.	12 in.	12 in.	1/4 in.	3/16 in.	None	
<b>FLT013-00073</b>	1-15/16 in.	10 in.	10 in.	3/16 in.	3/16 in.	None	
<b>JOSC10135</b>	2 in.	10 in.	10 in.			3/16 in.	None



### Tilt Foot

	A	B	C
<b>BINLG0066-20</b>	- in.	10 in.	10 in.





**Repair Kits**

**Cushion Foot Service**  
JOSC10717



Jost

**Cushion Foot**  
HOL716059



SAF-Holland

**Shoe Hardware**

**Sandshoe Axle**  
BUF1002-1303-KIT



Buffers USA

Tube: 1-7/8 in. x 8-1/2 in.  
Heavy Duty with Welded Cap & Locking Kit

**Sandshoe Axle**  
BUF1002-1304-KIT



Buffers USA

Tube: 1-7/8 in. x 8-13/16 in.  
Solid Steel w/Washers & Roll Pins

**Sandshoe Axle**  
BUF1002-1305-KIT



Buffers USA

Tube: 1-7/8 in. x 8-7/8 in.  
Standard Duty with Flared End & Locking Kit

**Sandshoe Axle**  
BUF1002-1407-KIT



Buffers USA

Tube: 1-7/8 in. x 8-1/2 in.  
Standard Duty with Welded Cap & Locking Kit

**Sandshoe Axle**  
BUF1002-2775-KIT



Buffers USA

Tube: 1-7/8 in. x 8-3/8 in.  
Solid with Welded Cap & Locking Kit

**Sandshoe Axle**  
FLT013-00244



Fleet Engineers

Tube: 1-7/8 in. x 8-1/2 in.  
With Cap

Models & Legs

**JOST**

**LGR**

**SAF-Holland**

**FLYING SAUCER**

# Landing Gear

## Shoe Hardware

**Sandshoe Axle**  
PEN06-404



Penz

Tube: 1-7/8 in. x 8-7/8 in.  
Standard Duty with Flared End & Locking Kit

**Sand Shoe Axle**  
PEN06-410



Penz

Tube: 1-7/8 in. x 8-1/2 in.  
Standard Duty with Welded Cap & Locking Kit

**HD Sand Shoe Axle**  
PEN06-411



Penz

Tube: 1-7/8 in. x 8-1/2 in.  
Heavy Duty with Welded Cap & Locking Kit

**Axle Housing**  
BUF1002-1294



Buffers USA

Tube: 2-3/8 in. x 5-7/8 in.  
FAB Steel: 4-1/2 in. x 5 in.  
Primer

**Axle Housing**  
PEN06-345



Penz

Tube: 1-29/32 in. x 5-7/8 in.  
FAB Steel: 4-1/2 in. x 5 in.  
Primer

### Pro-Par Sandshoe Axles & Housing

	Tube	Axle Type	Additional
<b>PROLG-AX01</b>	1-7/8 x 8-3/4 in.	Hollow	Standard Duty with Flared End, No Hardware
<b>PROLG-AX02</b>	1-7/8 x 8-1/4 in.	Hollow	Welded Cap
<b>PROLG-AX02HD</b>	1-7/8 x 8-1/4 in.	Solid	Welded Cap, Heavy Duty
<b>PROLG-AX03</b>	1-7/8 x 8-1/4 in.	Solid	
<b>PROLG-AX04</b>	1-29/32 x 5-7/8 in.	Hollow	Housing Only
<b>PROLG-AX05</b>	1-7/8 x 8-3/8 in.	Solid	Housing Only; Solid with Cap



(PROLG-AX01)



(PROLG-AX02)



(PROLG-AX03)



(PROLG-AX04)



Models & Legs

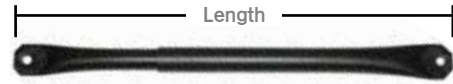
LGR

FLEET ENGINEERS

Penz

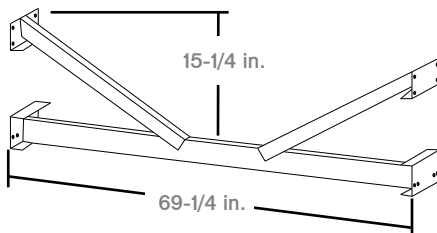
## Adjustable Braces

	Thickness	Adjustable Length
<b>BUF1006-1309</b>	Standard Duty	
<b>PEN04-10-26-41</b>	Standard Duty	26 in. to 41 in.
<b>PROLG-BR26-41</b>	Standard Duty	
<b>BUF1006-1310</b>	Standard Duty	42 in. to 57 in.
<b>PROLG-BR42-57</b>	Standard Duty	
<b>BUF1006-1311</b>	Standard Duty	
<b>PEN04-10-56-72</b>	Standard Duty	56 in. to 72 in.
<b>PROLG-BR56-72</b>	Standard Duty	
<b>BUF1006-1613</b>	Medium Duty	
<b>PEN04-15-26-41</b>	Medium Duty	26 in. to 41 in.
<b>PROLG-BR26-41MD</b>	Medium Duty	
<b>BUF1006-1614</b>	Medium Duty	
<b>PEN04-15-42-57</b>	Medium Duty	42 in. to 57 in.
<b>PROLG-BR42-57MD</b>	Medium Duty	
<b>BUF1006-1615</b>	Medium Duty	
<b>PROLG-BR56-72MD</b>	Medium Duty	56 in. to 72 in.
<b>FLT013-00991</b>	Heavy Duty	
<b>PEN04-40-26-41</b>	Heavy Duty	26 in. to 41 in.
<b>PROLG-BR26-41HD</b>	Heavy Duty	
<b>PEN04-80-26-41</b>	Super Heavy Duty	26 in. to 41 in.
<b>PROLG-BR26-41XHD</b>	Super Heavy Duty	
<b>PROLG-BR56-72XHD</b>	Super Heavy Duty	56 in. to 72 in.



## Bracing

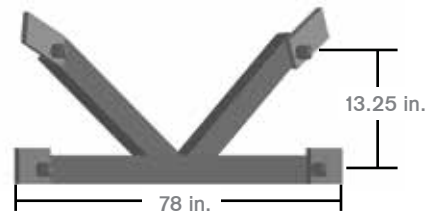
**K Brace Assembly  
BUF1006-2016**



Buffers USA

**K-Brace  
LGM-GD01**

Cross Ref: Great Dane# 30310008

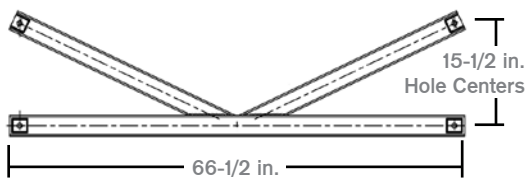


Pro-FIT

Style: Great Dane  
Material: Steel  
Trailer: 102 in.

**K-Brace Assembly  
LGM-HY07**

Cross Ref: Hyundai# 20014085

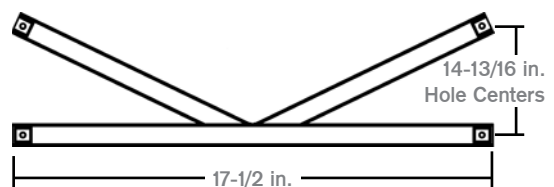


Pro-FIT

HDG

**LGM-HY14**

Cross Ref: Hyundai# 20017107



Pro-Fit

Material: Steel

# Landing Gear

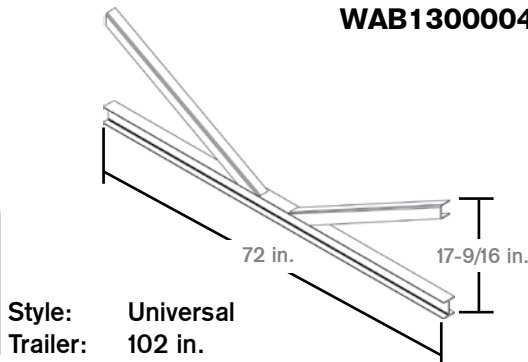
## Bracing

Landing Gear Mounting

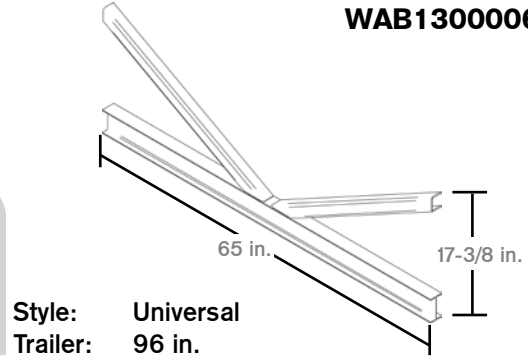
LGR



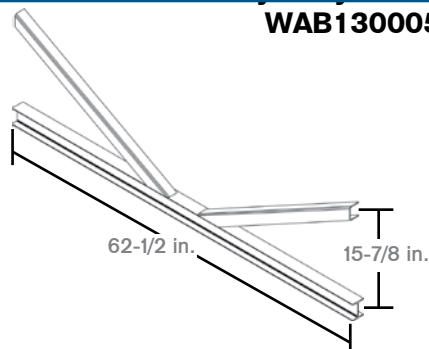
**K-Brace**  
**WAB1300042**



**K-Brace**  
**WAB1300065**



**Heavy Duty K-Brace**  
**WAB13000501**



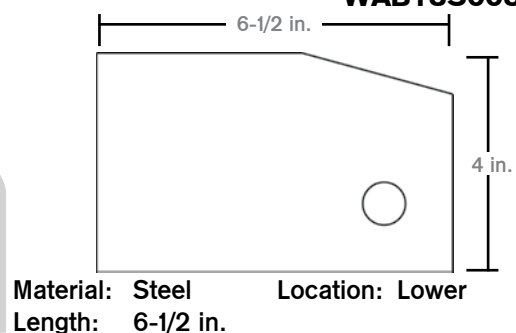
**K-Brace**



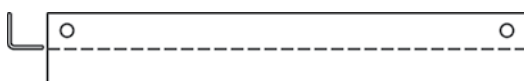
**K-Brace**  
**WAB13001048-02GALV**



**Mounting Connection**  
**WAB13S00398**



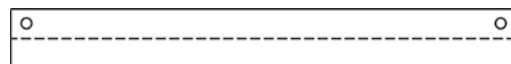
**Jost Reverse Mount Front**  
**WAB13S00542**



Material: Steel  
Length: 27-3/16 in.

**Jost Reverse Mount Front**

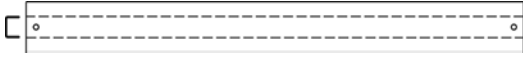
Material	<b>WAB13S00543</b>
Steel	
Galvanized Steel	<b>WAB13S00543GALV</b>



Length: 31-31/32 in.

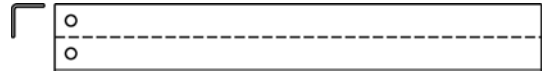
**Bracing**

**Horizontal Channel Cross**  
WAB13S00544



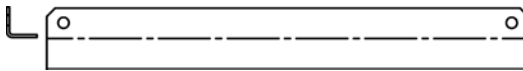
Material: Steel  
Length: 62-1/2 in.

**Jost Reverse Mount Center**  
WAB13S00545



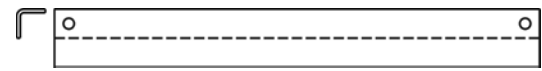
Material: Steel  
Length: 30.00 in.

WAB13S01081



Material: Steel  
Length: 28-3/4 in.

**Aft**  
WAB29S01129



Material: Steel For: JB Hunt Chassis  
Length: 29-5/8 in.

**Brace Lugs**

**BUF1008-1306**



Double, Square Leg  
Material: Steel

**Leg Brace**  
BBT4070-0032



**BUF1008-1307**



Double, Round Leg  
Material: Steel

**Leg Brace**  
BBT4070-0045



Dolly  
Either Side

Landing Gear Mounting

**LGR**

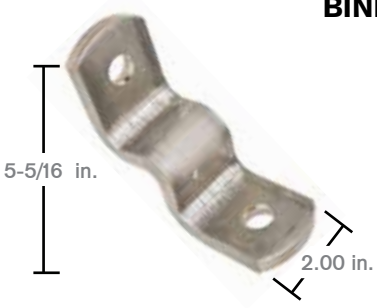


# Landing Gear

## Brace Lugs

**BINLG0266**

SAF-Holland




5-5/16 in.

2.00 in.

**BUF1008-1467**

Buffers USA



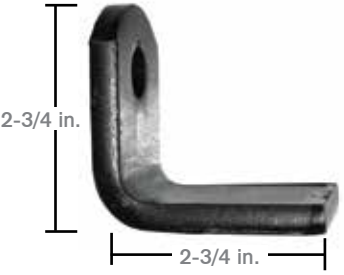
2 in.

9-1/4 in.

Straight, 2 Holes  
Material: Steel

**BUF1008-1631**

Buffers USA



2-3/4 in.

2-3/4 in.

90°  
Material: Steel 3/8 in.

**Upper / Angled**  
**BUF1008-2642**

Buffers USA




3 in.

9-1/2 in.

Material: Steel - 3/8 in.  
Cross Ref: Great Dane# 09955

**BUF1008-2648**

Buffers USA




2 in.

10-1/4 in.

Straight, 2 Holes  
Material: Steel 3/8 in.

**BUF1008-2986**

Buffers USA




2.00 in.

4-3/8 in.

Double, Square Leg  
Material: Steel 3/8 in.

**FLT011-00100**

Fleet Engineers



2-1/2 in.

2.00 in.

90°, 1 Hole  
Material: Steel 3/8 in.

**LGM-GD60**

Cross Ref: Great Dane# 09955

Pro-FIT



3.00 in.

8.00 in.

Material: Steel

SAF-Holland

FLEET ENGINEERS

LGR

BUFFERS USA

PRO-FIT

Landing Gear Mounting

**Brace Lugs**

**LGM-GD61**  
Cross Ref: Great Dane# 09955

**Pro-FIT**  
Angle Cut  
Material: Steel

**LGM-GD62**  
Cross Ref: Great Dane# 09758

**Pro-FIT**  
Triangle  
Material: Steel

**PEN02-10-A**

**Penz**  
Universal  
Material: Steel 3/8 in.

**PEN02-11-A**

**Penz**  
Universal  
Material: Steel 3/8 in.

**PEN02-12-A**

**Penz**  
Universal  
Material: Steel 3/8 in.

**PEN02-13-A**

**Penz**  
Universal  
Material: Steel 3/8 in.

**PEN02-39**

**Penz**  
Material: Steel 3/8 in.

**PEN02-44**

**Penz**  
Material: Steel 3/8 in.

Landing Gear Mounting

**LGR**



*Penz*

# Landing Gear

## Brace Lugs

### Plate Brace PEN02-46

**PEN02-45**  
Cross Ref: Great Dane# 09955

**Penz**  
Material: Steel 3/8 in.

**Penz**

**PROLG-BL01**

**Pro-Par**  
Material: Steel 3/8 in.

**PROLG-BL02**

**Pro-Par**

**PROLG-BL04**

**Pro-Par**  
Material: Steel 3/8 in.  
Short L Bracket - 1 Hole

**PROLG-BL06**

**Pro-Par**  
Material: Steel 3/8 in.  
Short L Bracket - 2 Hole

**PROLG-BL07**

**Pro-Par**  
Material: Steel 3/8 in.  
Straight - 2 Hole

**PROLG-BL08**

**Pro-Par**  
Material: Steel 3/8 in.  
Straight - 3 Hole

Landing Gear Mounting

LGR

Penz

WABASH



**Brace Lugs**

**WAB13S00018**



Material: Steel

**Diagonal Ear**  
**WAB13S00547**



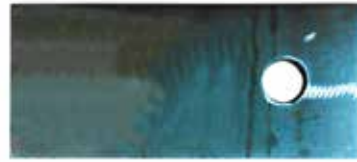
Material: Steel  
Length: 5-1/2 in.

**Filler Gusset**  
**WAB13S00760**

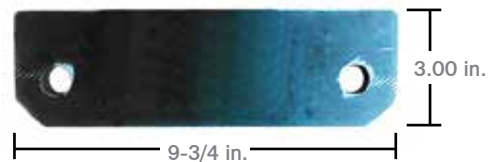


Size: 1/4 in. x 1-1/2 in. x 3 in.

**WAB13S01486**



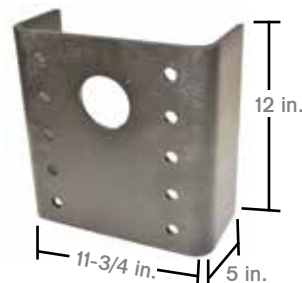
**WAB13S01505**



**Mounting Brackets**

**ACL Style**

**PEN02-03**



Material: Steel

Landing Gear Mounting

**LGR**



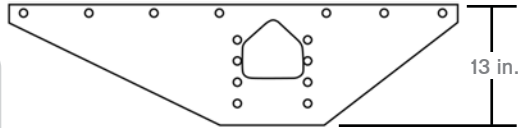
# Landing Gear

## Mounting Brackets

### Great Dane Style

Cross Reference	Location	
Great Dane# 136-46	Curbside	<b>BUF1007-1779-CS</b>
Great Dane# 136-47	Roadside	<b>BUF1007-1779-RS</b>

Buffers USA



Material: Steel  
Length: 48 in.

### Upper Mount Angle

#### LGM-GD15

Cross Ref: Great Dane# 40103879

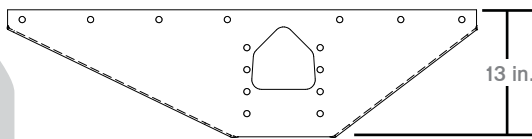
Pro-Fit



Size: 1/4 in. x 2 in. x 3 in. x 51-1/2 in.

Cross Reference	Location	
Great Dane# 209-873L	Curbside	<b>LGM-GD53</b>
Great Dane# 209-873R	Roadside	<b>LGM-GD54</b>

Pro-Fit



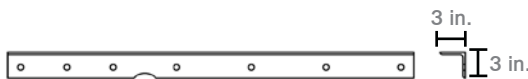
Material: Zinc Primer Finish  
Length: 48 in.

### Hyundai Style

#### Top Mounting Angle

#### LGM-HY06

Pro-Fit



Length: 48 in.  
Location: Left Hand

Cross Reference	Location	
Hyundai# 20021680	Curbside	<b>LGM-HY05</b>
Hyundai# 20037409	Roadside	<b>LGM-HY08</b>

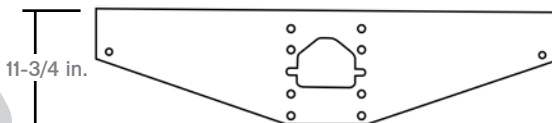


Material: Galvanized Steel  
Length: 48 in.

### Miller Style

#### PEN02-30

Penz



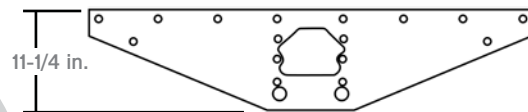
Universal  
Material: Steel  
Length: 48 in.

### Stoughton Style

#### LGM-ST01

Cross Ref: Stoughton# 01-09945-000-00

Pro-Fit



Universal  
Material: Steel  
Length: 50 in.  
Attach: Bolt-on

Landing Gear Mounting



## Stoughton Style

**LGM-ST02**  
Cross Ref: Stoughton# 01-10857-000-00

**Pro-Fit**

Material: **Steel**  
Length: **50 in.**  
Attach: **Weld-on**

## Trailmobile Style

Location	Part Number
Curbside	<b>BUF1007-1607-CS</b>
Roadside	<b>BUF1007-1607-RS</b>

**Buffers USA**

Material: **7 ga.**  
Length: **50-1/2 in.**

## Transcraft

**TSCPLA-003**

Length: **8-1/4 in.**

## Utility Style

Cross Reference	Bracket	Location
Utility# 03-1103-0-077	LGM-UT06	Roadside <b>LGM-UT01</b>
Utility# 03-1103-0-078	LGM-UT05	Curbside <b>LGM-UT02</b>

Material: **Steel**  
Length: **48-5/8 in.**  
Attach: **Weld-on**

## Utility Style

Cross Reference	Location	Part Number
Utility# 03-1103-0-123	Roadside	<b>LGM-UT03</b>
Utility# 03-1103-0-124	Curbside	<b>LGM-UT04</b>

Material: **Steel**  
Length: **11-5/8 in.**

Cross Reference	Fits	Location
Utility# 03-1105-0-013	LGM-UT02	Curbside <b>LGM-UT05</b>
Utility# 03-1105-0-012	LGM-UT01	Roadside <b>LGM-UT06</b>

Material: **Steel**  
Length: **16-15/16 in.**

## Vanguard Style

**LGM-VN09**  
Cross Ref: Vanguard# UCA00037

**Pro-Fit**

## Wabash

Location	Part Number
Curbside	<b>WAB13000948</b>
Roadside	<b>WAB13000950</b>

Material: **Steel**  
Length: **48 in.**

Landing Gear Mounting

**LGR**



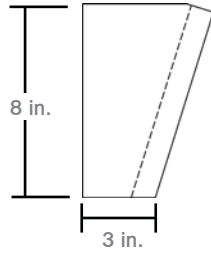
# Landing Gear

## Mounting Brackets

### Wabash

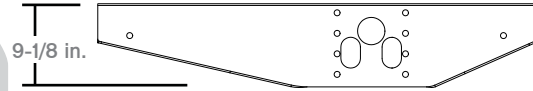
#### Center Gusset

Location	Part Number
Right Hand	<b>WAB13S00025</b>
Left Hand	<b>WAB13S00026</b>



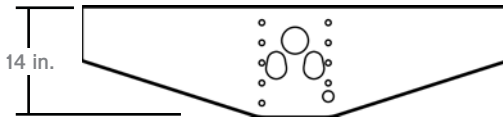
Material: Steel  
Length: 8 in.

Location	Part Number
Roadside	<b>WAB13S00047</b>
Curbside	<b>WAB13S00048</b>



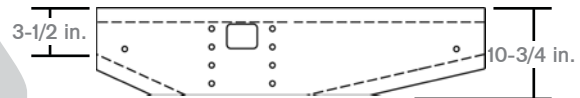
Length: 48 in.

#### WAB13S00057



Material: Steel  
Length: 48 in.  
Style: Universal

Outside	Reverse	Part Number
Curbside	Roadside	<b>WAB13S00503</b>
Roadside	Curbside	<b>WAB13S00504</b>



Material: Steel  
Length: 48 in.

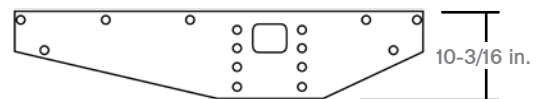
Outside	Reverse	Part Number
Curbside	Roadside	<b>WAB13S00512</b>
Roadside	Curbside	<b>WAB13S00513</b>



Material: Steel  
Length: 48 in.

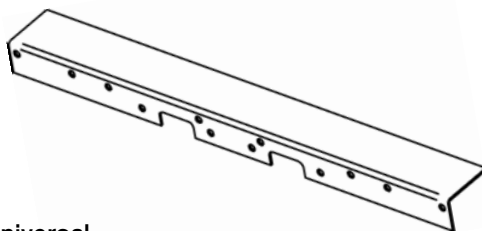
#### Just Reverse

Location	Part Number
Roadside	<b>WAB13S00755</b>
Curbside	<b>WAB13S00756</b>



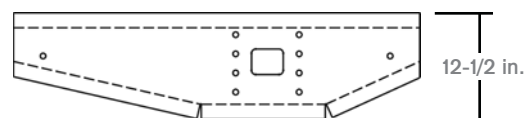
Attach: Bolt-on  
Length: 48 in.

#### Top Mounting Angle WAB13S00757



Universal  
Material: Steel  
Length: 48 in.  
Attach: Bolt-on

Location	Part Number
Curbside	<b>WAB13S01021</b>
Roadside	<b>WAB13S01022</b>



Material: Steel  
Length: 48 in.

Landing Gear Mounting

LGR



**Mounting Brackets**

**Wabash**

**WAB13S01101**

1/8 in. HRS

**Angle for Bolt-on Pad  
WAB13S01363**

4 in.

Material: Steel      Attach: Bolt-on  
Length: 48 in.

**Top Angle  
WAB13S01369**

Material: Steel  
Length: 52 in.

**Top Mounting Angle**

Location	
Roadside	<b>WAB13S01415</b>
Curbside	<b>WAB13S01416</b>

Location	
Curbside	<b>WAB13S01106</b>
Roadside	<b>WAB13S01107</b>

10-1/4 in.

Material: Steel  
Length: 48 in.

Location	
Curbside	<b>WAB13S01364</b>
Roadside	<b>WAB13S01365</b>

10-1/4 in.

Material: Steel  
Length: 48 in.

Location	
Curbside	<b>WAB13S01411</b>
Roadside	<b>WAB13S01412</b>

**Inside Mount**

Location	
Curbside	<b>WAB13S01503GALV</b>
Roadside	<b>WAB13S01504GALV</b>

26-1/2 in.

Material: Galvanized Steel  
Length: 50 in.

Landing Gear Mounting

LGR



# Landing Gear

## Mounting Brackets Accessories

**BLTFSP005-05KIT**



12 - 5/8 in. x 1-7/8 in. Grade 8 Bolts  
 12 - 5/8 in. Lock Washers  
 12 - 5/8 in. Lock Nuts

**BLT60759910**



10 - 5/8 in. x 1-7/8 in. Grade 8 Bolts  
 10 - 5/8 in. Lock Nuts

**Hardware Kit  
IMXLSQUARE**



For: Square Legs  
 Includes: (1) Crank Handle 1003-1695, (1) Crank Holder 1003-1789, (1) Cross Shaft 1005-2388, (2) Brace Ears 1008-1306

**Hardware Kit  
PROLG-KIT1**



For: Square Legs  
 Includes: (1) Crank Handle PROLG-CR11V, (1) Crank Holder PROLG-HA01, (1) Cross Shaft PROLG-XS69, (2) Brace Lugs PROLG-BL01

Specialty Legs

LGR

## Anti-Dive Legs & Jacks

**Anti-Nosedive Jack  
BINLG1870**



10,000 Vertical Load Rating

**Dolly Jack with Springs  
HOLJS-300-J**



1,200 lb Capacity  
 Retract: 29-13/32 in. Extend: 44-13/32 in.  
 5 in. x 2 in. Steel Wheel

**Stabilizer Jack  
IMXGT-7751**



Bottom: 43 in. 20 Ton  
 Top: 50-1/2 in.

SAF-Holland

SAF-Holland

SAF-Holland

Spc. Legs

## Anti-Dive Legs & Jacks

### Dolly Jacks

	Type
<b>PRE700P-15-726</b>	With Caster Mounting Plate
<b>PRE700P-15-729</b>	Without Spring Assembly, 6 in. Sand Shoe
<b>PRE700PY15-726</b>	Custom, Extra Long
<b>PRE800P-15-829</b>	With 829 Shoe, Caster Mounting Plate

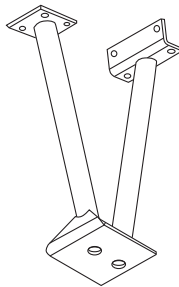


(PRE700P-15-726)

Premier

Travel: 15 in.

### Stiff Leg Assembly WAB15000155GALV



### Bolt On Stiff Leg WAB15000550GALV



### Leg Repair Kit KYS716037



Constant Mesh Gear Retrofit Kit

### Handle Assembly PRE677A



With Roll Pin, 8 in. Long  
For: 600, 700, 800 Jacks

### Caster Assemblies

	Type
<b>PRE620</b>	6 in., Steel Wheel, Swivel (622, 625 Included)
<b>PRE623</b>	6 in., Rubber Wheel, Swivel (624, 625 Included)
<b>PRE746</b>	8 in., Rubber Wheel, Swivel (747, 749 Included)



(PRE746)

Premier

Specialty Legs



LGR



